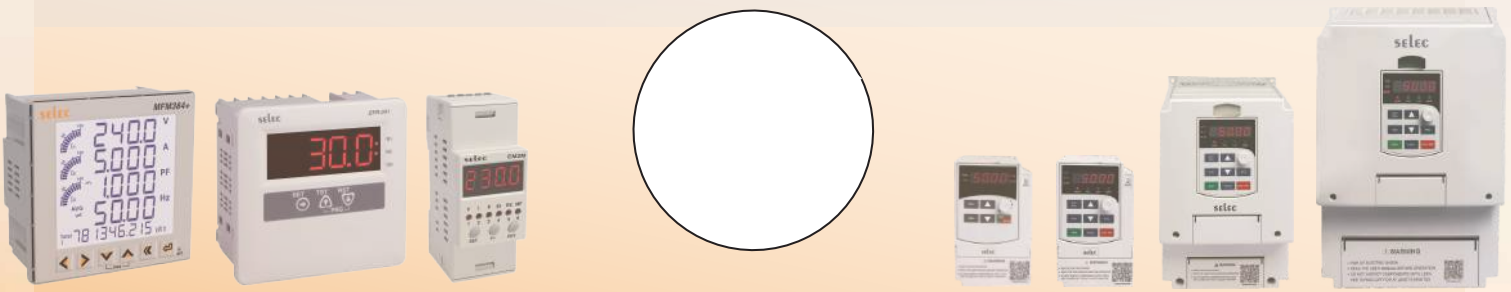


Electrical Measurements • Power Quality • Electrical Protection & Control
Industrial Automation • Process Automation & Control



ELECTRICAL MEASUREMENT

Page

- Multifunction Meters 3
- Energy Meters (AC & DC) 4
- Digital Panel Meters 5
- Current Transformers 7

POWER QUALITY

Page

- Automatic Power Factor Controller 8

ELECTRICAL PROTECTION & CONTROL

Page

- Line Monitoring Series 10
- Current Monitoring Series 11
- Motor & Pump Protection Relay 13
- Time Switch & Analog Timers 14

INDUSTRIAL AUTOMATION

Page

- MiBRX 16
- Flexys Series 19
- Fixed IO PLC Series 21
- HMI 22
- PLC Accessories 23
- Power Supplies & Battery Charger 25
- VFD (AC Drive) 27

PROCESS MEASUREMENT & CONTROL

Page

- PID, Temperature & Humidity Controller Series 28
- Process Indicator & SSR 32
- Cooling Controller 33
- Digital Timers & Counters 34
- Other Accessories and Terms & Conditions 37

MULTIFUNCTION METERS

New



LCD MULTIFUNCTION METER

- Energy Standard - Class 0.5S & Class 1 as per IEC 62053-22 / 21
- Multifunction parameter monitoring (V, A, PF, Hz, W, Wh, VA, VAh, VARh)
- Max Demand & Import / Export measurement
- %THD & Individual harmonics for V & I up to 31st level over communication
- RS485 Communication MODBUS RTU Protocol
- Pulse output
- CE RoHS compliant

Product Code	Unit MRP	Description	HSN Code
LCD MULTIFUNCTION METER			
MFM384-C-D-CE-CL05-Plus <i>New</i>	9990	LCD, High end multifunction meter with RS485 communication, Dual source, Accuracy Class 0.5S, Time-stamped measurements, Cyber security, Displacement PF, Unbalance current & voltage, Configurable Favourite Page, %THD up to 31 st level, 40 to 300V AC / DC	90303390
MFM384-C-CE-CL05 <i>New</i>	9213	LCD multifunction meter with RS485 communication, %THD up to 31 st level, 85 to 300V AC, Accuracy Class 0.5S	
MFM384-C-CE * #	7680	LCD multifunction meter with RS485 communication, %THD up to 31 st level, 85 to 300V AC	
MFM384-R-C-CE #		Rail mount LCD multifunction meter with RS485 communication, 85 to 270V AC	
MFM284-C-CE		LCD multifunction meter with RS485 communication, 72 X 72 mm size, 85 to 270V AC	
MFM383A-C-CE	6144	LCD multifunction meter with RS485 communication, 85 to 270V AC	
MFM383A *	5223	LCD multifunction meter, 85 to 270V AC	



LED MULTIFUNCTION METER

- Energy Standard - Class 0.5S & Class 1 as per IEC 62053-22 / 21
- Multifunction parameter monitoring (V, A, PF, Hz, W, Wh, VA, VAh, VARh)
- Max Demand & Import / Export measurement
- %THD & Individual harmonics for V & I up to 31st level over communication
- RS485 Communication MODBUS RTU Protocol
- Pulse output
- CE RoHS compliant

Product Code	Unit MRP	Description	HSN Code
LED MULTIFUNCTION METER			
MFM376-C-D-CE-CL05-Plus <i>New</i>	6672	LED, High end multifunction meter with RS485 communication, Dual source, Accuracy Class 0.5S, Displacement PF, Unbalance current & voltage, Configurable Favourite Page, %THD up to 31 st level, 40 to 300V AC / DC	90303390
MFM376-C-CE-Plus <i>New</i>	5818	LED, High end multifunction meter with RS485 communication, Displacement PF, Unbalance current & voltage, Configurable Favourite Page, %THD up to 31 st level, 40 to 300V AC / DC	
MFM376-C-CE	5529	LED multifunction meter with RS485 communication, %THD up to 31 st level, 40 to 300V AC / DC	
MFM376-CE	4071	LED multifunction meter with Import / Export energy measurement, 40 to 300V AC / DC	
MFM391	1918	Digital Multifunction Meter with LED display, Measures Voltage, Current, Frequency, Power and Power Factor	

Note: * UL variant available # MID variant available

Price list 2023 (w.e.f. January 24th, 2023)

ENERGY METERS



DIRECT MEASURING ENERGY METER

- Energy Standard - Class 1.0 as per IEC 62053-21
- Direct measuring up to 100A
- Multifunction parameter monitoring (V, A, PF, Hz, W, Wh, VA, VAh, VARh, Max Demand & Import / Export Energy)
- 2 Pulse outputs (1st fixed, 2nd Configurable)
- Protocols available : MODBUS RTU variants
MQTT variant (Wi-Fi)
-

Product Code	Unit MRP	Description	HSN Code
DIRECT MEASURING ENERGY METER			
EM4M-3P-W-100A <i>New</i>	10752	3Ø Direct 100A kWh meter, 85 to 285V AC (L-N), 154 to 494V AC (L-L) with built-in Wi-Fi, MQTT protocol	90303390
EM4M-3P-C-100A	8513	3Ø Direct 100A kWh meter, Self powered, 85 to 285V AC (L-N), 154 to 494V AC (L-L) with RS485 communication	
EM2M-1P-W-100A <i>New</i>	4657	1Ø Direct 100A kWh meter, Self powered, 184 to 276V AC with built-in Wi-Fi, MQTT protocol	
EM2M-1P-C-100A #	3448	1Ø Direct 100A kWh meter, Self powered, 184 to 276V AC with RS485 communication	



CT OPERATED ENERGY METER

- Energy Standard - Class 1.0 as per IEC 62053-21
- Bright LED / LCD Displays
- RS485 Communication MODBUS RTU Protocol
- Pulse output (EM368-C-CU, EM306)
-

Product Code	Unit MRP	Description	HSN Code
CT OPERATED ENERGY METER			
EM368-C-CU	5356	3Ø kWh meter with LCD display and RS485 communication, 85 to 276V AC, UL certified	90283010
EM306-C-D	3768	3Ø kWh meter with LED display and RS485 communication, Dual source, 85 to 276V AC	
EM306	2999	3Ø kWh meter with LED display, 85 to 276V AC	
Product Code	Description	HSN Code	HSN Code
ENERGY MANAGEMENT SOFTWARE			
SELCOM	On Request	Front - End Software of Meters of Communication Type (Desktop based)	85238020
COMMUNICATION GATEWAYS			
AC-S2E-02	5913	Converter – RS485 to Ethernet	84715000
AC-USB-RS485-02	5699	Converter Cable – USB to RS485 (2 wire)	
AC-S2W-01-CE <i>New</i>	3632	Converter – RS485 to WiFi	



DC ENERGY METER

Product Code	Unit MRP	Description	HSN Code
EM2M-1CH-C-DC-1R0	5405	Single channel, LED display, 1000V DC & 50mV to 100mV (shunt), Rs485 communication & Relay output	90283090
EM2M-1CH-C-DC-DL	6400	Single channel, LED display, 1000V DC & 50mV to 100mV (shunt), Rs485 communication & Data logging	

Note: # MID variant available

Price list 2023 (w.e.f. January 24th, 2023)

DIGITAL PANEL METERS



DIGITAL PANEL METER - MULTIFUNCTION SERIES

- True RMS measurement of voltage, current, power, power factor & frequency
- 1Ø & 3Ø measurement available with LCD and LED display
- Models available with Built in CT for 30A and 80A measurement (800A measurement with converter)
- Models available with Plug-N-play RJ45 CT connection
- RS485 MODBUS communication with alarm relay (MX300-1-C-CE)
- CE RoHS

Product Code	Unit MRP	Description	HSN Code
DIGITAL PANEL METER - MULTIFUNCTION SERIES			
VAF36A-230-CE *	4240	3Ø Digital meter with LCD display, Built in RPM / RUN hour measurement, 230V AC, 96 x 96 mm size	90303310
VAF39A-1-230V	2040	3Ø Digital meter with LED display, Built in RPM / RUN hour measurement, 230V AC, 96 x 96 mm size	
MVA593-CE	1586	3Ø VA meter up to 800A current measurement using external CT, CE certified, 48 x 48 mm size	
MX300-1-C-CE	2190	1Ø Multifunction Digital panel meter with 1 alarm relay output and RS485 modbus communication, 96 x 96 mm size	
MX300-CE	1484	1Ø Multifunction Digital panel meter with universal auxiliary supply of 85 to 300V AC / DC, 96 x 96 mm size	
MVA591-80A-230V	1256	1Ø VA meter with measurement up to 80A with built in CT, 48 x 48 mm size	
MVA591-30A-230V	1210	1Ø VA meter with measurement up to 30A with built in CT, 48 x 48 mm size	



ACCESSORIES - DPM MULTIFUNCTION SERIES

- CT modules available in 1Ø & 3Ø for 80A and 250A measurement
- Converter with DIP switch for CT primary selection
- Up to 800A measurement with converter
- Plug-N-Play RJ45 connection

Product Code	Unit MRP	Description	HSN Code
ACCESSORIES - DPM MULTIFUNCTION SERIES			
CT 3PH-21x25mm-250A-G	1393	CT for MVA593 - 3 phase, 250A	85043100
CT 3PH-D13mm-80A-G	811	CT for MVA593 - 3 phase, 80A	
3PH 5A CONVERTER-G	723	Converter for MVA593 to be used along with conventional CT	
CT 1PH-30x10mm-250A-G	718	CT for MVA593 - 1 phase, 250A	
CT 1PH-D13mm-80A-G	500	CT for MVA593 - 1 phase, 80A	


Note: * UL variant available

Price list 2023 (w.e.f. January 24th, 2023)

New



DIGITAL PANEL METER - VOLTMETER


- Class 0.5 accuracy
- True RMS voltage measurement
- Available in LCD and LED display
- Analog style bar graph model available
- PT programmable (For three phase variant)
- 

Product Code	Unit MRP	Description	HSN Code
DIGITAL PANEL METERS- VOLTMETER			
MV2307-230V-CE	1983	3Ø Digital voltmeter with LCD display, Bar graph representation for voltage, 230V AC, 72 x 72 mm size	90303310
MV35-3-G-40/300V-CE <i>New</i>	1681	3Ø Digital voltmeter with LED display, Auxiliary supply of 40 to 300V AC/ DC, 96 x 96 mm size	
MV334-230V	1486	3Ø Digital voltmeter with LED display, 230V AC, 96 x 96 mm size	
MV507-230V-CE	1800	1Ø Digital voltmeter with LCD display, Bar graph representation for voltage, 230V AC, 48 x 48 mm size	
MV35-1-G-40/300V-CE <i>New</i>	1025	1Ø Digital voltmeter with LED display, Auxiliary supply of 40 to 300V AC/ DC, 96 x 96 mm size	
MV15	845	1Ø Digital voltmeter with LED display, 230V AC, 48 x 96 mm size	
MV205		1Ø Digital voltmeter with LED display, 230V AC, 72 x 72 mm size	
MV305		1Ø Digital voltmeter with LED display, 230V AC, 96 x 96 mm size	

New



DIGITAL PANEL METER - AMMETER

- Class 0.5 accuracy
- True RMS voltage measurement
- Available in LCD and LED display
- Analog style bar graph model available
- CT programmable
- 

Product Code	Unit MRP	Description	HSN Code
DIGITAL PANEL METERS- AMMETER			
MA2301-230V-CE	2068	3Ø Digital ammeter with LCD display, Bar graph representation for current, 230V AC, 72 x 72 mm size	90303310
MA32-3-G-40/300V-CE <i>New</i>	1681	3Ø Digital ammeter with LED display, Auxiliary supply of 40 to 300V AC/ DC, 96 x 96 mm size	
MA335-230VAC		3Ø Digital ammeter with LED display, 230V AC, 96 x 96 mm size	
MA501-230V-CE	1547	1Ø Digital ammeter with LCD display, Bar graph representation for current, 230V AC, 48 x 48 mm size	
MA12-20A-AC	2549	1Ø Digital ammeter with LED display, 20A direct input, 230V AC, 48 x 96 mm size	
MA12-75mV-DC	2425	1Ø Digital ammeter with LED display, 75mV DC shunt input, 230V AC, 48 x 96 mm size	
MA32-1-G-40/300V-CE <i>New</i>	1025	1Ø Digital ammeter with LED display, Auxiliary supply of 40 to 300V AC/ DC, 96 x 96 mm size	
MA12	811	1Ø Digital ammeter with LED display, 230V AC, 48 x 96 mm size	
MA202		1Ø Digital ammeter with LED Display, 230V AC, 72 x 72 mm size	
MA302		1Ø Digital ammeter with LED display, 230V AC, 96 x 96 mm size	

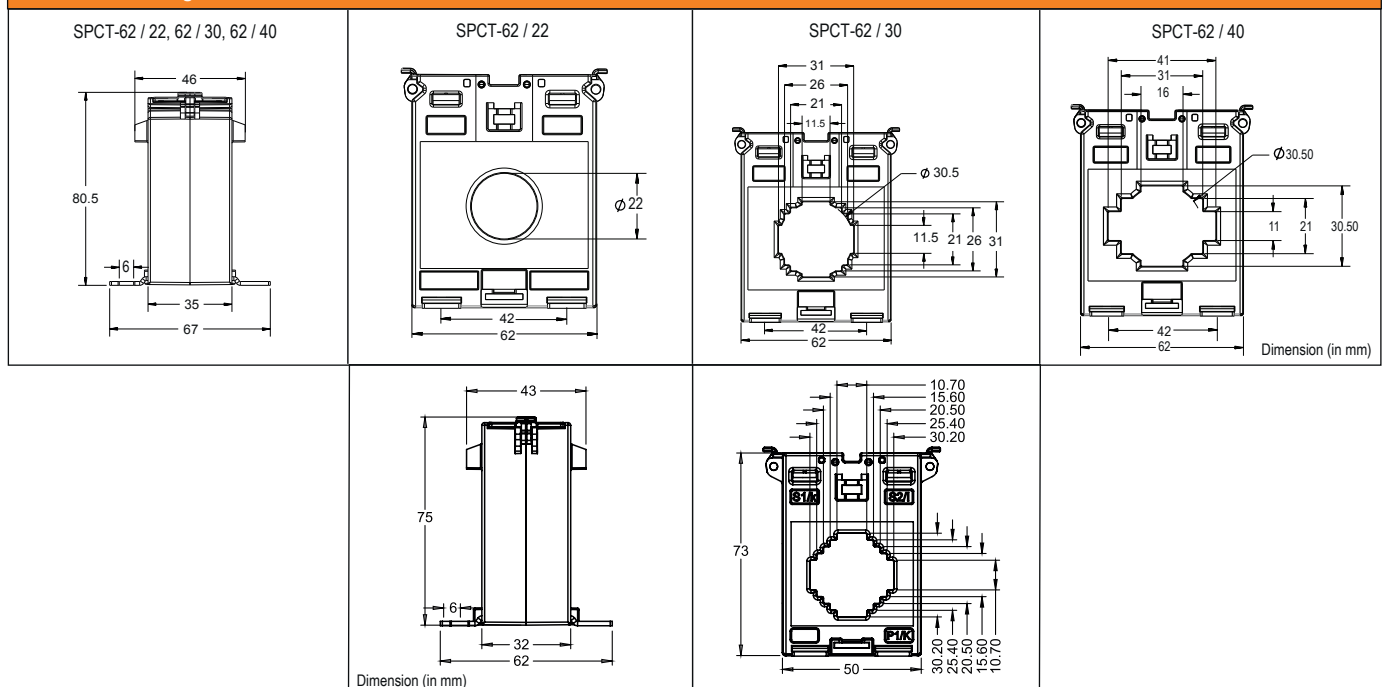


CURRENT TRANSFORMER - SQUARE TYPE

- Available range: 30A - 4000A
- ASTA, CE and UL certified
- Applicable with bus bar aperture upto 100mm
- Panel mount / Din rail mount (Requires additional accessory)
- CE RoHS compliant

Product Code	Unit MRP	Description	HSN Code
CURRENT TRANSFORMER - SQUARE TYPE			
SPCT-62/22-30/5A-VA1-CL5-CE *	739	Bus bar CT with 30/5A, OD/ID: 62/22	85043100
SPCT-62/30-50/5A-VA1.5-CL3-CE *	660	Bus bar CT with 50/5A, OD/ID: 62/30	
SPCT-62/30-50/5A-VA1-CL3-CE *		Bus bar CT with 50/5A, OD/ID: 62/30	
SPCT-50/30-60/5A-VA1-CL5-CE *	411	Bus bar CT with 60/5A, OD/ID: 50/30	
SPCT-50/30-75/5A-VA1-CL1-CE *		Bus bar CT with 75/5A, OD/ID: 50/30	
SPCT-62/30-75/5A-VA1-CL3-CE *	660	Bus bar CT with 75/5A, OD/ID: 62/30	
SPCT-50/30-100/5A-VA1-CL1-CE *	411	Bus bar CT with 100/5A, OD/ID: 50/30	
SPCT-62/30-100/5A-VA1-CL1-CE *	683	Bus bar CT with 100/5A, OD/ID: 62/30	
SPCT-62/40-100/5A-VA1-CL1-CE *	486	Bus bar CT with 100/5A, OD/ID: 62/40	
SPCT-62/40-150/5A-VA1.5-CL1-CE *		Bus bar CT with 150/5A, OD/ID: 62/40	
SPCT-62/40-200/5A-VA2.5-CL0.5-CE *		Bus bar CT with 200/5A, OD/ID: 62/40	
SPCT-62/40-250/5A-VA2.5-CL0.5-CE *		Bus bar CT with 250/5A, OD/ID: 62/40	
SPCT-62/40-300/5A-VA3-CL0.5-CE *	519	Bus bar CT with 300/5A, OD/ID: 62/40	
SPCT-62/40-400/5A-VA3.75-CL0.5-CE *		Bus bar CT with 400/5A, OD/ID: 62/40	
SPCT-100/60-500/5A-VA5-CL1-CE *	985	Bus bar CT with 500/5A, OD/ID: 100/60	
SPCT-100/60-600/5A-VA5-CL0.5-CE *		Bus bar CT with 600/5A, OD/ID: 100/60	
SPCT-100/60-800/5A-VA10-CL0.5-CE *	1067	Bus bar CT with 800/5A, OD/ID: 100/60	
SPCT-100/60-1000/5A-VA15-CL0.5-CE *	1215	Bus bar CT with 1000/5A, OD/ID: 100/60	
SPCT-100/60-1200/5A-VA15-CL0.5-CE *	1346	Bus bar CT with 1200/5A, OD/ID: 100/60	
SPCT-140/100-1500/5A-VA15-CL0.5-CE	1629	Bus bar CT with 1500/5A, OD/ID: 140/100	
SPCT-140/100-2000/5A-VA15-CL0.5-CE	1833	Bus bar CT with 2000/5A, OD/ID: 140/100	
SPCT-140/100-2500/5A-VA15-CL0.5-CE	1996	Bus bar CT with 2500/5A, OD/ID: 140/100	
SPCT-140/100-3000/5A-VA15-CL0.5-CE	2231	Bus bar CT with 3000/5A, OD/ID: 140/100	
SPCT-140/100-3500/5A-VA15-CL0.5	2399	Bus bar CT with 3500/5A, OD/ID: 140/100	
SPCT-140/100-4000/5A-VA15-CL0.5	2601	Bus bar CT with 4000/5A, OD/ID: 140/100	

Dimension Drawings




Note: * UL variant available

Price list 2023 (w.e.f. January 24th, 2023)

AUTOMATIC POWER FACTOR CONTROLLERS



AUTOMATIC POWER FACTOR CONTROLLERS

- Single CT and 3 CT variants available
- Available with four quadrant power factor controller
- Automatic sensing of capacitor bank values
- programmable up to 1 to 8/12 stages
- Variant available with no programming & built-in VAF meter
- Variant available for RS485 MODBUS communication
- 

Product Code	Unit MRP	Description	HSN Code
AUTOMATIC POWER FACTOR CONTROLLER			
APFC148-312-90/550V-CE	13093	Power factor controller with 3CT, 12 Stage, LCD Display, 90 to 550V AC, 144 x 144 mm size	90328910
APFC146-112-90/550V-CE	8277	Power factor controller with 1CT, 12 Stage, LCD Display, 90 to 550V AC, 144 x 144 mm size	
APFC346-108-230V-CE	6019	Power factor controller with 1CT, 8 Stage, LCD Display, 85 to 270V AC, 96 x 96 mm size	
APFC147-112-90/550V	9293	Power factor controller with 1CT, 12 Stage, LED Display, 90 to 550V AC, 144 x 144 mm size	
APFC147-108-90/550V	8064	Power factor controller with 1CT, 8 Stage, LED Display, 90 to 550V AC, 144 x 144 mm size	
APFC347-108-230V	6019	Power factor controller with 1CT, 8 Stage, LED Display, 85 to 270V AC, 96 x 96 mm size	



ELECTRICAL PROTECTION & CONTROL

LINE MONITORING RELAY



CURRENT PROTECTION RELAY



EARTH LEAKAGE RELAY



EARTH FAULT RELAY



MOTOR PROTECTION RELAY



PUMP PROTECTION RELAY



DIGITAL TIME SWITCH



TIME RELAYS



LINE MONITORING SERIES

New



LINE MONITORING RELAY

- 1Ø-2W, 3Ø-3W, 3Ø-4W suitable models
- Wide range of supply range available
- Neutral loss feature in selective model
- On site field programmable trip and alarm relay
- Compact space saving design
- Clear Trip indication on LED and LCD

Product Code	Unit MRP	Description	HSN Code
DIGITAL VOLTAGE PROTECTION RELAY			
900VPR-BL-U-CE	4352	3Ø-3W, 3Ø-4W, Under / Over voltage, Phase failure, Phase sequence, Phase asymmetry, Under / Over frequency, Neutral loss, 2 x 1C/O, 85 to 270V AC / DC	85363000
900VPR-2-280/600V-CE	2482	3Ø-3W, 3Ø-4W, Under / Over voltage, Phase failure, Phase sequence, Phase asymmetry, Under / Over frequency, Neutral loss, 2 x 1 C/O, Self powered	
VPRD2M-BL-CE	2309	Digital, 1Ø-2W, 3Ø-4W, Under / Over voltage, Phase failure, Phase sequence, Phase asymmetry, Under / Over frequency, With Backlight, 2 C/O DPDT	
600DVR-CE <i>New</i>	2044	3Ø-3W, 3Ø-4W, Under / Over voltage, Phase failure, Phase sequence, Phase asymmetry Under / Over frequency, Neutral Loss, 1 C/O, Self powered	
ANALOG VOLTAGE PROTECTION RELAY			
600VPR-310/520-CE	1965	3Ø-3W, Under / Over voltage, Phase failure, Phase sequence, 1C/O	85363000
VPRA2M-CE	1763	Analog, 1Ø-2W, 3Ø-4W, Under / Over voltage, Phase failure, Phase sequence, Phase asymmetry, 2 C/O DPDT	
800VPR-3	1265	3Ø-3W, Under / Over voltage, Phase failure, Phase sequence, 1 C/O	
600VPR-1-130/320-CE <i>New</i>	1541	1Ø-2W, Under / Over voltage, Phase failure, Phase sequence, 1C/O	
PHASE SEQUENCE RELAY			
600PSR-CE	1308	3Ø-3W, Phase failure, Phase sequence, Phase asymmetry, 1 C/O, 17.5mm size	85363000
640PSR-V-CE <i>New</i>	1068	3Ø-3W Phase Failure Relay with Phase asymmetry of 40V / 65V selectable, SPP / PSR selectable, Time delay for tripping, UV / OV -On/Off selectable, Multiple LED for Fault indication, 17.5mm Din Rail	
640PSR-CE <i>New</i>	1011	3Ø-3W Phase Failure Relay with Phase asymmetry of 40V. Multiple LED for Fault indication, 17.5mm Din Rail	
800PSR	828	3Ø-3W, Phase failure, Phase sequence, Phase asymmetry, 1 C/O, 22.5mm size	
SINGLE PHASE PREVENTER			
600SPP	1408	3Ø-3W, Phase failure, Phase asymmetry, 1 C/O	85363000
SPPA2M2	1576	3Ø-3W, Under / Over voltage, Phase failure, Phase asymmetry, 2 C/O DPDT	
AUTO SWITCH			
Auto switch-313/457V	1154	Single Phase preventer with user selectable mode, Under voltage - 313V, Over voltage 475V	85363000
Auto switch-195/400V		Single Phase preventer with user selectable mode, Under voltage - 195V, Over voltage 400V	

Note: * UL variant available

Price list 2023 (w.e.f. January 24th, 2023)

CURRENT MONITORING SERIES



CURRENT PROTECTION RELAY

- Definite time tripping
- Wide tripping range (1 to 999A)
- Continuous monitoring of Over and Under current in 1 phase and 3 phase
- Wide supply range of supply: 85 to 270V AC/DC
- Field programmable trip current and trip time through front panel keys
- Manual test & Reset Keys available via Front / Remote

Product Code	Unit MRP	Description	HSN Code
CURRENT PROTECTION RELAY			
900CPR-1-BL-U-CE	3648	1Ø, Backlight, Over / Under current monitoring, 2 x 1 C/O, 85 to 270V AC / DC	85363000
900CPR-3-230V	3197	1Ø & 3Ø, Over / Under current monitoring, Current asymmetry, 1 C/O, 230V AC	
900CPR-1-230V	2685	1Ø, Over / Under current monitoring, 1 C/O, 230V AC	



EARTH FAULT RELAY

- Continuous monitoring of fault current in 1 phase and 3 phase
- Wide supply range of supply: 85 to 270V AC/DC
- Field programmable trip current and trip time through front panel keys
- Manual test & Reset Keys available via Front / Remote
- Programmable Trip and Alarm relay
- Specialized current transformer with class 1 accuracy
- Works with standard 5A CT (Only for EFR-341-2-CE)

Product Code	Unit MRP	Description	HSN Code
EARTH FAULT RELAY			
900EFR-BL-U-CE	4153	Digital Din Rail mount earth fault relay, 2 x 1 C/O, 85 to 270V AC / DC	85363000
EFR-341-2-CE <i>New</i>	3070	Digital Panel mount earth fault relay, 2 x 2 C/O, 85 to 270V AC / DC	
EARTH FAULT RELAY ACCESSORIES			
EFCT 220/50 630 /1A VA1 CL1	2182	Earth fault current transformer 630A, Window Size: 220x50 mm	85043100
EFCT 180/35 630 /1A VA1 CL1	2152	Earth fault current transformer 630A Window Size: 180x35 mm	
EFCT 180/35 250 /1A VA1 CL1	1613	Earth fault current transformer 250A, Window Size: 180x 35 mm	
EFCT 140/35 250/1A VA1 CL1	1639	Earth fault current transformer 250A, Window Size: 140x35 mm	
EFCT 140/35 160/1A VA1 CL1	1425	Earth fault current transformer 160A, Window Size: 140x 35 mm	
EFCT 100/25 160/1A VA1 CL1	1023	Earth fault current transformer 160A, Window Size: 100x25 mm	

Note: * UL variant available

Price list 2023 (w.e.f. January 24th, 2023)



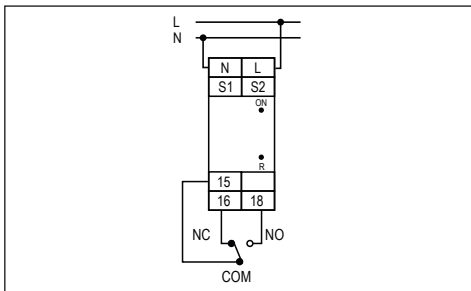
EARTH LEAKAGE RELAY

- Type AC leakage current measurement from 30 mA to 30 A
- Highly sensitive CBCT using Nanocrystalline core
- High Sensitivity - tripping within 50 msec for 1X current and 30msec for 5X current
- Discrete LED indication for Power ON, Alarm and Fault
- Fixed variant for leakage current measurement is also available

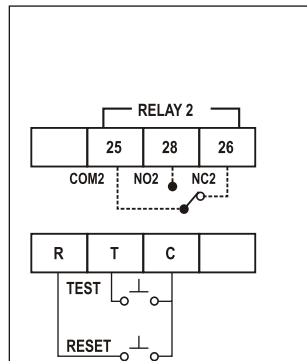
Product Code	Unit MRP	Description	HSN Code
EARTH LEAKAGE RELAY			
900ELR-2-230V-CE	4344	Digital earth leakage relay, Leakage Current range: 30mA to 30A, 2 x 1 C/O, 230V AC	85363000
ELR-341-1	3070	Panel Mount ELR, Leakage Current range: 30mA to 30A, 85 to 270 V AC/DC	
ELRA2M2-1-230V-CE	2086	Analog earth leakage relay, Leakage current range: 30mA to 30A, 1 C/O, 230V AC	
ELCTR35-1-30mA-230V	1661	Earth leakage relay with inbuilt CBCT Leakage current fixed: 30mA, 1 C/O, 230V AC	
ELCTR35-1-300mA-230V	1661	Earth leakage relay with inbuilt CBCT, Leakage current fixed: 300mA, 1 C/O, 230V AC	
600ELR-1-30/500mA-230V	1502	Analog earth leakage relay, Leakage current range: 30mA to 500mA, 1 C/O, 230V AC, 1M size	
EARTH LEAKAGE RELAY ACCESSORIES			
CBCT-310-1-CE	8872	Core balance current transformer with Dia 310mm	85364900
CBCT-210-1-CE	5192	Core balance current transformer with Dia 210mm	
CBCT-120-1-CE	2969	Core balance current transformer with Dia 120mm	
CBCT-70-1-CE	1343	Core balance current transformer with Dia 70mm	
CBCT-35-1-CE	921	Core balance current transformer with Dia 35mm	

Terminal Connection

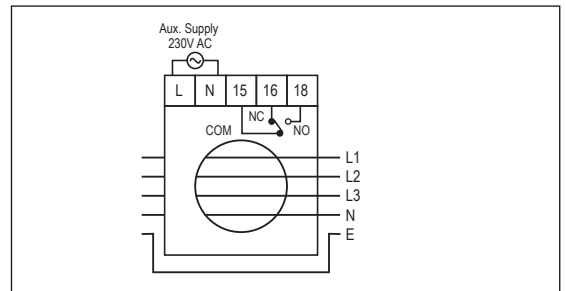
600-ELR



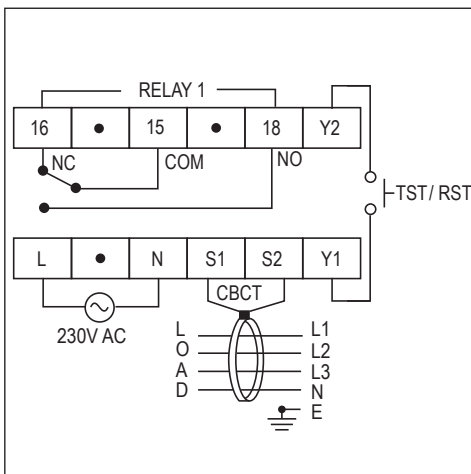
900ELR-2



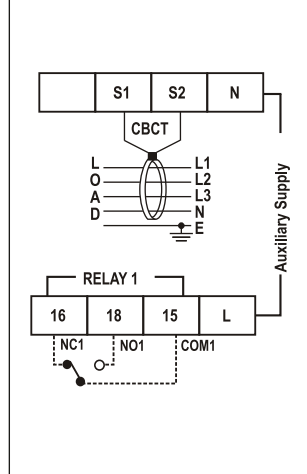
ELCTR



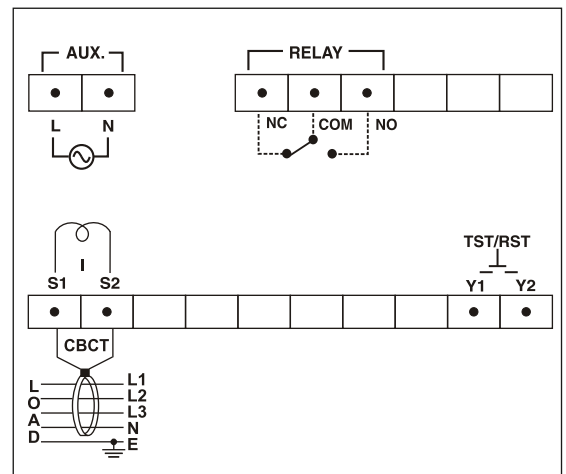
ELRA2M



900ELR-2



ELR-341-1



Note: * UL variant available

Price list 2023 (w.e.f. January 24th, 2023)

MOTOR & PUMP PROTECTION RELAYS



MOTOR PROTECTION RELAY

- Smart and Intelligent motor protection with continuous fault monitoring & control
- Monitors Overload as per International tripping class 5, 10, 15, 20, 30 (NEMA)
- Specialized Current transformer for 3 phase applications
- Relays self-diagnostics improves on site troubleshooting
- Panel Mount / DIN Rail variants available
- Direct measurement of temperature in the stator winding via PTC Sensor

Product Code	Unit MRP	Description	HSN Code
MOTOR PROTECTION RELAY			
MPR-341-2	2964	Digital panel mount motor protection relay, 2 x 1C/O, 85 to 270V AC / DC	85363000
MPR-3M-2-415V	2958	Analog motor protection relay, 2 C/O, 415V	
MPR-3M-2-230V	2697	Analog motor protection relay, 2 C/O, 230V	
THERMISTOR PROTECTION RELAY			
TPRA2M1-1-U-CE	2213	Thermistor protection relay for motor winding protection, 2 C/O, 90 to 270V AC / DC	85363000



PUMP PROTECTION RELAY

- Smart and Intelligent device with fault monitoring and control
- Monitors Overload as per International tripping class 5, 10, 15, 20, 30 (NEMA)
- Specialized Current transformer for 3 phase applications
- Voltage protection (OV, UV, Hysteresis, Asymmetry)
- Current protection (OC, UC, Locked rotor, Asymmetry)
- Direct current measurement up to 30A in 1 Phase products
- Built in Water level controller available in selective variant
- Two tank water level monitoring with specially designed non corrosive sensor

Product Code	Unit MRP	Description	HSN Code
PUMP PROTECTION RELAY			
PPRD-4M-3-415V	2602	3Ø-3W, Digital pump protection relay, Push button type, Up to 80A via MPCT, 1 C/O, 415V	85363000
PPRA-4M-3-415V	2583	3Ø-3W, Analog pump protection relay, Up to 80A via MPCT, 1 C/O, 415V	
PPRWD-4M-1	2565	1Ø-2W, Digital Pump Protection relay with WLC, Direct 30A	
PPRD-4M-1-230V	2321	1Ø-2W, Digital Pump Protection relay, Direct 30A	
PPRA-4M-1-230V	2292	1Ø-2W, Analog Pump Protection relay, Direct 30A	
MOTOR & PUMP PROTECTION RELAY ACCESSORIES			
MPCT D15 80A	1109	Motor protection current transformer, up to 80A	85043100
MPCT D15 40A	972	Motor protection current transformer, up to 40A	
MPCT D15 10A	851	Motor protection current transformer, up to 10A	
LIQUID LEVEL CONTROLLER			
WLCA-2M-U-CE	1848	Two tank water level controller with single device, 2x1 NO, 85 to 270V AC / DC	90328910
LLCA-2M-1-U-CE <i>New</i>		Single / Dual tank liquid level controller, 1 C/O SPDT, Automatic sensitivity - 0 to 500Kohms, 85 to 270V AC / DC	
WLCA2M1		Water level controller, Adjustable sensitivity 1K to 200K Ohm	
WLC Sensor		Set of 3 stainless sensor	

Note: * UL variant available

Price list 2023 (w.e.f. January 24th, 2023)

TIME SWITCH & ANALOG TIMERS



DIGITAL TIME SWITCH

- Daily / Weekly or Astronomical function
- 30-50 ON-OFF steps
- Relay ratings: 16A / 20A
- Min.setting unit: 1 second
- 10 years battery life

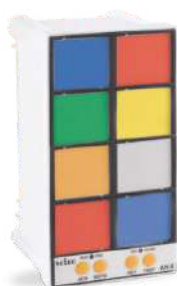
Product Code	Unit MRP	Description	HSN Code
DIGITAL TIME SWITCH			
ATS2M1-1-16A-230V-CE	2758	DIN Rail - astronomical time switch, 1 C/O, 230V AC	91070000
TS2M1-2-16A-230V-CE	2599	DIN Rail - daily / weekly time switch, Dual Channel, 2 X 1 C/O SPDT, 230V AC	
TS2M1-1-16A-230V V2	1921	DIN Rail - daily / weekly time switch, 1 C/O, 230V AC	
TS1W1-1-20A-230V	1596	Wall mount - daily / weekly time switch, 1C/O, 230V AC	



ANALOG TIME SWITCH

- 24 hrs program
- 96 ON-OFF steps
- Min. setting unit: 15 minutes
- Power reserve: 10 hrs

Product Code	Unit MRP	Description	HSN Code
ANALOG TIME SWITCH			
MTS4M-1-16A-230V-CE	1921	DIN Rail / Flush mount - Mechanical daily / weekly time switch, 16A relay, 1 C/O SPDT, 230V AC	91070000



ALARM ANNUNCIATOR

- 8 Windows, 6 colours
- MODBUS RS485 MODBUS RTU serial communication
- 90 to 270VAC aux supply
- Selectable fault detection NO/NC sensing
- Programmable individual window
- Relay contacts for trip & buzzer

Product Code	Unit MRP	Description	HSN Code
WINDOWS			
AN-8-0-0-230V	7630	Fault annunciator – 8 Window, Multicolour	85318000

Note: * UL variant available

Price list 2023 (w.e.f. January 24th, 2023)



TIME RELAYS

- Single & Multifunction timers available
- Wide setting ranges
- Universal power supply
- Precise time setting
- Panel or DIN rail mount

Product Code	Unit MRP	Description	HSN Code
DIN RAIL TIMERS - 17.5MM			
600DT *	2058	Digital multi function timer, 0.1 sec to 999hr, 1 C/O, 20 to 240V AC & 12 to 240V DC	85364900
600SD-2-230	1722	Star Delta timer, 3 sec to 60 sec, 2 C/O, 230V AC	
600XU-A-1-CU	1678	Multi function timer, 0.1 sec to 3 hr, 1 C/O, 20 to 240V AC & 12 to 240V DC, UL certified	
642XA	1306	Timer with On delay / Interval modes, 0sec to 60mins, 1 C/O, 20 to 240V AC & 12 to 240V DC	
600ST *	1270	Single function timer, 0.1 sec to 3 hr, 1 C/O, 240V AC	
642SQ-A	892	Timer with On delay / Interval modes, 0sec to 60mins, 1 C/O, 230V AC & 24V DC	
DIN RAIL TIMERS - 22.5MM			
800POD-180S	4116	True power off delay timer, 180sec, 2 C/O, 110 to 240V AC	85364900
800XMR	2339	Forward - pause - reverse timer, On time: 1 to 8min Pause time: 10 to 80sec 2 C/O, 20 to 240V AC & 12 to 240V DC	
800XC *	1686	Asymmetrical Cyclic timer, 1sec to 10hr, 2 C/O, 20 to 240V AC & 12 to 240V DC	
800XU *	1534	Timer with On delay / Interval modes, 1sec to 30hr, 2 C/O, 20 to 240V AC & 12 to 240V DC	
800SD-2-110	1306	Star Delta timer, Run time: 30 / 60sec, Change over: 50 / 100ms, 2 C/O, 110V AC	
800SD-2-230	1042	Star Delta timer, Run time: 30 / 60sec, Change over: 50 / 100ms, 2 C/O, 230V AC	
800SD-2-415	1246	Star Delta timer, Run time: 30 / 60sec, Change over: 50 / 100ms, 2 C/O, 230 to 450V AC	
800S-1-ON-60S-415	1149	Single function, 60sec, 1 C/O, 415V AC	
800S-1-ON-60S-230	822	Single function, 60sec, 1 C/O, 230V AC	
800XA	1117	Timer with On delay / Interval modes, 3sec to 60mins, 2 C/O, 20 to 240V AC & 12 to 240V DC	
800SQ-A	829	Timer with On delay / Interval modes, 3sec to 60mins, 1 C/O, 230V AC & 24V AC / DC	
ANALOG PANEL MOUNT TIMERS			
55XC-T-G * <i>New</i>	1987	Panel mount timer with cyclic function, 1sec to 10hr, 2 C/O, 20 to 240V AC & 12 to 240V DC	85364900
55XU-T-G * <i>New</i>	1922	Panel mount timer with On delay / Interval modes, 1sec to 30hr, 2 C/O, 20 to 240V AC & 12 to 240V DC	
55XC-P8-G * <i>New</i>	1824	Plug in timer with cyclic function, 1sec to 10hr, 2 C/O, 20 to 240V AC & 12 to 240V DC	
55MF-P11 <i>New</i>		11Pin Output, Plug in multifunction timer, 0.05sec to 300hr, 2 X 1 C/O SPDT, 20-240V AC/ DC	
55XU-P8-G * <i>New</i>	1726	Plug in timer with On delay / Interval modes, 1sec to 10hr, 2 C/O, 20 to 240V AC & 12 to 240V DC	
55MF-P8 <i>New</i>		8Pin Output, Plug in multifunction timer, 0.05sec to 300hr, 2 X 1 C/O SPDT, 20-240V AC/ DC	
55Q(V1.1)-T8-230	1388	Panel mounted On Delay / Interval Timer, 0sec to 60min, 230V AC	
55Q(V1.1)-P8-230	1382	Plug in timer with On Delay / Interval Timer, 0sec to 60min, 230V AC	
55ES-P8-230V-G <i>New</i>	1105	Plug in timer with On delay / Interval modes, 3sec to 60min, 1 C/O, 230V AC & 24V AC / DC	
55ES-T-230V-G <i>New</i>	984	Panel mount timer with On delay / Interval modes, 3sec to 60min, 1 C/O, 230V AC & 24V AC / DC	

Discontinued & Alternate codes

Discontinued	Alternate
MFM376-230V	MFM376-CE
EM306A-C	EM306-C-D
EM306A	EM306
900VPR-2-280/520V-CE 900VPR-2-300/600V	900VPR-2-280/600V-CE
642PSR	640PSR-CE
WLCA-2M-U-CE	LLCA-2M-1-U-CE
55XC-P8	55XC-P8-G
55XC-T8	55XC-T-G
55ES-P8-230	55ES-P8-230V-G
55ES-T-230	55ES-T-230V-G
55XU-P	55XU-P8-G
55XU-T	55XU-T-G

Note: * UL variant available

Price list 2023 (w.e.f. January 24th, 2023)

MiBRX (Micro Modular PLC Series)



MiBRX PLC - RAIL MOUNT

- Modular Display
- 2/4/6 configurable MiBRX IO SLOTS
- Optional MODBUS Master/ expandable
- Optional RTC
- 230VAC/ 24VDC Power Supply

Product Code	Unit MRP	Description	HSN Code
MiBRX SERIES - RAIL MOUNT			
MiBRX-2M-1-0-0-24VAC	3935	MiBRX 2M Base module - 2 Slots, 3DI	85371000
MiBRX-2M-1-0-0-24VDC	4011	MiBRX 2M Base module - 2 Slots, 3DI (incl 1FI)	
MiBRX-4M-1-0-0-230V	6169	MiBRX 4M Base module - 4 Slots, 5DI (incl 1FI, 1AI-V), NTC	
MiBRX-4M-1-1-1-230V	6660	MiBRX 4M Base module - 4 Slots, 5DI (incl 1FI, 1AI-V), NTC, RTC, Master	
MiBRX-4M-1-0-0-24VDC	6871	MiBRX 4M Base module - 4 Slots, 5DI (incl 1FI, 1AI-V), NTC	
MiBRX-4M-1-1-1-24VDC	7264	MiBRX 4M Base module - 4 Slots, 5DI (incl 1FI, 1AI-V), NTC, RTC, Master	
MiBRX-6M-1-1-1-230V	11445	MiBRX 6M Base module - 6 Slots, 11DI (incl 1FI, 1AI-V), + 4RO, NTC, RTC, Master	
MiBRX-6M-2-1-1-0-1-24VDC	18770	MiBRX 6M Base module - 6 Slots, 11DI, 24V Power supply with Isolation, Master, ETHERNET & RTC	
MiBRX-DSP-2M-0-1-06-A	540	MiBRX Display 2M - Blind, 6 LED	
MiBRX-DSP-2M-7-1-04-A	851	MiBRX Display 2M - 7 seg (4 digit), 6 LED	
MiBRX-DSP-4M-0-1-06-A	763	MiBRX Display 4M - Blind, 6 LED	
MiBRX-DSP-4M-8-2-08-A	1611	MiBRX Display 4M - LCD (8x2)	
MiBRX-DSP-6M-8-2-08-A	1763	MiBRX Display 6M - LCD (8x2)	



MiBRX PLC - PANEL MOUNT

- Modular Display
- 2/6 configurable MiBRX IO SLOTS
- Optional MODBUS Master/ expandable
- Optional RTC
- 230VAC/ 24VDC Power Supply

Product Code	Unit MRP	Description	HSN Code
MiBRX SERIES - PANEL MOUNT			
MiBRX-48-0-0-230V	5485	MiBRX 48x96 Base module - 2 slots, 6DI (incl 1FI, 1AI-V), NTC	85371000
MiBRX-48-0-0-24VDC	6077	MiBRX 48x96 Base module - 2 slots, 7DI (incl 1FI, 2AI-V), 1AI-I, NTC	

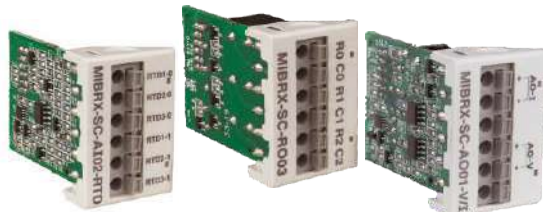
Product Code	Unit MRP	Description	HSN Code
MiBRX-72-0-0-230V	5887	MiBRX 72x72 Base module - 2 slots, 4DI (incl 1FI, 1AI-V) + 3RO, NTC	85371000
MiBRX-72-0-0-24VDC	7710	MiBRX 72x72 Base module - 2 slots, 4DI (incl 1FI, 1AI-V) + 4RO, 1AI-I, NTC	
MiBRX-72-0-1-230V	6195	MiBRX 72x72 Base module - 2 slots, 4DI (incl 1FI, 1AI-V) + 3RO, NTC, RTC	
MiBRX-72-0-1-24VDC	8205	MiBRX 72x72 Base module - 2 slots, 4DI (incl 1FI, 1AI-V) + 4RO, 1AI-I, NTC, RTC	
MiBRX-96-1-0-24VDC	8651	MiBRX 96x96 Base module - 6 slots, 6DI (incl 1FI, 1AI-V), 1AI-I, NTC, Master	
MiBRX-96-1-1-24VDC	8613	MiBRX 96x96 Base module - 6 slots, 6DI (incl 1FI, 1AI-V), 1AI-I, NTC, RTC, Master	
MiBRX-96-1-0-230V	7089	MiBRX 96x96 Base module - 6 slots, 4DI (incl 1FI, 1AI-V), NTC, Master	
MiBRX-96-1-1-230V	7537	MiBRX 96x96 Base module - 6 slots, 4DI (incl 1FI, 1AI-V), NTC, RTC, Master	
MiBRX-DSP-48-7-2-11-A	1927	MiBRX Display 48x96 - 7 Seg (3+4 & 4 digit), 6 LED, 10 Bar Graph LED	
MiBRX-DSP-48-7-2-14-B	2117	MiBRX Display 48x96 - 7 Seg (8 & 6 digit), 8 LED	
MiBRX-DSP-72-8-2-08-B	1806	MiBRX Display 72x72 - LCD (8x2)	
MiBRX-DSP-72-7-2-10-B	1718	MiBRX Display 72x72 - 7 Seg (6+4 digit), 4 LED	
MiBRX-DSP-96-8-4-16-B	3567	MiBRX Display 96x96 - LCD (16x4)	

MiBRX PLC - ADAPTER PLATES

Product Code	Unit MRP	Description	HSN Code
MiBRX-DSP-AP-2M	562	MiBRX 2M Adapter Plate for independent display	85371000
MiBRX-DSP-AP-4M	716	MiBRX 4M Adapter Plate for independent display	
MiBRX-DSP-AP-6M	932	MiBRX 6M Adapter Plate for independent display	

MiBRX PLC - INDEPENDENT DISPLAY

Product Code	Unit MRP	Description	HSN Code
MiBRX-DSP-IND-96-8-0-00-B	4338	MiBRX Independent Display 96x96 - Customized, 14 & 7 Seg, Bar Graphs, Speedometer	85371000
MiBRX-DSP-IND-96-8-2-16-B	3865	MiBRX Independent Display 96x96 - LCD (16x2)	
MiBRX-DSP-IND-96-8-4-16-B	5017	MiBRX Independent Display 96x96 - LCD (16x4)	
MiBRX-DSP-IND-96-8-0-00-C	11215	MiBRX Independent Display 96x96 - 3.5 Inch Graphic Touch	



MiBRX PLC - MINIATURE IO CARD

Product Code	Unit MRP	Description	HSN Code
MiBRX-SC-DI04	342	MiBRX Slot Card - 4 Digital Inputs	85371000
MiBRX-SC-DI04-ISO	706	MiBRX Slot Card - 4 Digital Inputs (Isolated)	
MiBRX-SC-DI06	435	MiBRX Slot Card - 6 Digital Inputs	
MiBRX-SC-DI06-AC		MiBRX Slot Card - 6 Digital Inputs (AC)	
MiBRX-SC-DI06-ISO	1062	MiBRX Slot Card - 6 Digital Inputs (Isolated)	
MiBRX-SC-RO03	781	MiBRX Slot Card - 3 Relay Outputs	
MiBRX-SC-RO04	1431	MiBRX Slot Card - 4 Relay Outputs	
MiBRX-SC-RO04-12V		MiBRX Slot Card - 4 Relay Outputs (12V)	
MiBRX-SC-RO05	1955	MiBRX Slot Card - 5 Relay Outputs (1.5A)	
MiBRX-SC-TO04	925	MiBRX Slot Card - 4 Transistor Outputs	
MiBRX-SC-DI02-RO02	787	MiBRX Slot Card - 2 Digital Inputs & 2 Relay Outputs	
MiBRX-SC-DI02-RO03	1100	MiBRX Slot Card - 2 Digital Inputs & 3 Relay Outputs	
MiBRX-SC-DI02-TO02	595	MiBRX Slot Card - 2 Digital Inputs & 2 Transistor Outputs	

Product Code	Unit MRP	Description	HSN Code
MiBRX-SC-DI02-AI01-T	717	MiBRX Slot Card - 2 Digital Inputs & 1 Analog Input - TC/RTD	85371000
MiBRX-SC-AI02-V	610	MiBRX Slot Card - 2 Analog Inputs - Voltage	
MiBRX-SC-AI02-V-ISO	4670	MiBRX Slot Card - 2 Analog inputs - Voltage (Isolated)	
MiBRX-SC-AI02-I	617	MiBRX Slot Card - 2 Analog Inputs - Current	
MiBRX-SC-AI02-I-ISO	4694	MiBRX Slot Card - 2 Analog inputs - Current (Isolated)	
MiBRX-SC-AI02-V-I	632	MiBRX Slot Card - 2 Analog Inputs - 1 Voltage & 1 Current	
MiBRX-SC-AI02-TC	803	MiBRX Slot Card - 2 Analog Inputs - Thermocouple	
MiBRX-SC-AI02-TC-ISO	4952	MiBRX Slot Card - 2 Analog inputs - Thermocouple (Isolated)	
MiBRX-SC-AI02-RTD	837	MiBRX Slot Card - 2 Analog Inputs - RTD	
MiBRX-SC-AI02-RTD-ISO	4938	MiBRX Slot Card - 2 Analog inputs - RTD (Isolated)	
MiBRX-SC-AI02-PT1000	1106	MiBRX Slot Card - 2 Analog Inputs - PT1000	
MiBRX-SC-AI02-PTC	732	MiBRX Slot Card - 2 Analog Inputs - PTC	
MiBRX-SC-AI02-NTC		MiBRX Slot Card - 2 Analog Inputs - NTC	
MiBRX-SC-AO01-V/I	1129	MiBRX Slot Card - 1 Analog Output	
MiBRX-SC-AO02-V-I-ISO	5793	MiBRX Slot Card - 2 Analog Outputs (Isolated)	
MiBRX-SC-FI02	1106	MiBRX Slot Card - 2 Fast Inputs (10KHz)	
MiBRX-SC-FO01-TO01	1701	MiBRX Slot Card - 1 Fast Output (10KHz) & 1 Transistor Output	
MiBRX-SC-LC02	3759	MiBRX Slot Card - 2 Analog Inputs - Load Cell (24 Bit)	
MiBRX-SC-DL	3273	MiBRX Slot Card - Datalogging (2MB) & RTC	
MiBRX-SC-WIFI	3858	MiBRX Slot Card - WIFI	

MiBRX PLC - ACCESSORIES

Product Code	Unit MRP	Description	HSN Code
MiBRX-SC-PD	2992	MiBRX Portable Downloader	85371000

STANDARD FUNCTION PRODUCTS

Product Code	Unit MRP	Description	HSN Code
LC02-72-7-LC02-RO03-AO01-230V	12465	2 Channel loadcell controller with Retransmission	90318000
TC02-2M-7-RTDA02-RO04-24VDC	7070	2 Channel Temperature controller	90258090
TC08-96-8-RTDA08-RO08-230V	16718	8 Channel Temperature scanner cum controller	



FLEXYS SERIES



FLEXYS GT35

- 3.5" Resistive Touch Screen LCD Display
- Flexible IO Card Selection with 3 inbuilt Slots
- RS485 Based Communication with MODBUS RTU & Proprietary Protocol
- Inbuilt RTC Function
- Expandable
- 230VAC/ 24VDC Power Supply

Product Code	Unit MRP	Description	HSN Code
FLEXYS GT35			
FL-GT35-DSP-CE-RoHS	14460	Flexys Graphic - 3.5" Resistive Touch Screen	85371000
FL-GT35-LG-1-0-1-CE-RoHS	7076	Flexys Graphic - Logic card - RTC, MODBUS Expansion	
FL-GT35-DI04-PS-230V-CE-RoHS	4138	Flexys Graphic - Power Supply Card - 230VAC, 4 Digital Inputs	
FL-GT35-DI04-PS-24V-CE-RoHS	4612	Flexys Graphic - Power Supply Card - 24VDC, 4 Digital Inputs	



FLEXYS TX4

- 4x16 character LCD Display
- Flexible IO Card Selection with 4 inbuilt Slots
- RS485 Based Communication with MODBUS RTU & Proprietary Protocol
- Inbuilt RTC Function
- Expandable
- 230VAC/ 24VDC Power Supply

Product Code	Unit MRP	Description	HSN Code
FLEXYS TX4			
FL-TX4-LG-1-0-1-V2-CE-RoHS	15964	Flexys Panel TX4 – Logic card – RTC, MODBUS & Proprietary Expansion	85371000
FL-TX4-DI04-PS-230V-CE-RoHS	3836	Flexys Panel TX4 – Power Supply Card - 230VAC, 4 Digital Inputs	
FL-TX4-DI04-PS-24V-CE-RoHS	3553	Flexys Panel TX4 – Power Supply Card - 24VDC, 4 Digital Inputs	



FLEXYS RAIL

- Flexible IO Card Selection with 4 inbuilt Slots
- RS485 Based Communication with MODBUS RTU & Proprietary Protocol
- Inbuilt RTC Function
- Expandable
- 230VAC/ 24VDC Power Supply

Product Code	Unit MRP	Description	HSN Code
FLEXYS RAIL			
FL-RL-DI04-PS-24V-CE-RoHS	2649	Flexys Rail – Power Supply Card – 24VDC, 4 Digital Inputs	85371000
FL-RL-LG-1-0-1-V2-CE-RoHS	10644	Flexys Rail – Logic Card – RTC, MODBUS & Proprietary Expansion	
FL-RL-BS-6-CE-RoHS	2636	Flexys Rail – Base Card	
FL-RL-PS-230V	2634	Flexys Rail – Power Supply Card – 230VAC	



FLEXYS IO CARDS

- Easy to Plug IN
- Spring type connection terminals
- Different types of DI, DO, AI, AO cards

Product Code	Unit MRP	Description	HSN Code
FLEXYS IO CARDS			
FL-SC-DI10-CE-RoHS	2688	Flexys IO – 10 Digital Inputs Card	85371000
FL-SC-DI14-CE-RoHS	3760	Flexys IO – 14 Digital Inputs Card	
FL-SC-RO08-CE-RoHS	4468	Flexys IO – 8 Channel Relay Output Card	
FL-SC-TO08-CE-RoHS	2732	Flexys IO – 8 Channel Transistor Output Card	
FL-SC-DI04-RO04-CE-RoHS	3598	Flexys IO – 4 Digital Input, 4 Digital Output Card	
FL-SC-AI06-V-CE-RoHS	2103	Flexys IO – 6 Channel Analog Input Card – Voltage	
FL-SC-AI06-I-CE-RoHS	2132	Flexys IO – 6 Channel Analog Input Card – Current	
FL-SC-AI04-RTD-CE-RoHS	4191	Flexys IO – 4 Channel Analog Input Card – RTD (PT-100)	
FL-SC-AI04-TC-CE-RoHS	3534	Flexys IO – 4 Channel Analog Input Card – Thermocouple	
FL-SC-AIDF04-TC-CE-RoHS	5181	Flexys IO – 4 Channel Differential Analog Input Card – Thermocouple	
FL-SC-AI03-NTC-AI03-I	3516	Flexys IO – 3 Channel Analog Input – NTC, 3 Channel Analog Input – Current Card	
FL-SC-AI04-U	6443	Flexys IO – 4 Channel Analog Input Card – Universal (Jumper Selectable)	
FL-SC-AO04-V-CE-RoHS	8189	Flexys IO – 4 Channel Analog Output Card – Voltage	
FL-SC-AO04-I-CE-RoHS	8185	Flexys IO – 4 Channel Analog Output Card – Current	
FL-SC-AI03-U-AO02-U	10714	Flexys IO – 3 Channel Analog Input – Universal, 2 Channel Analog Output – Universal Card	
FL-SC-LC04	20906	Flexys IO – 4 Channel Loadcell Input Card	



EXPANSION

- Flexys IO card expansion slot
- DIP switches for Slave ID & Baud rate selection
- 24VDC Power Supply
- MODBUS Communication protocol

Product Code	Unit MRP	Description	HSN Code
EXPANSION			
EXP FLEX 2M	2554	Expansion Slot – Flexys IO Cards	85371000
EXP FLEX 2M V3		Independent Remote IO base card	

FIXED IO PLC SERIES



COMPACT PLC - RAIL MOUNT

- Configurable 2x8 Character LCD Display
- Configurable Function Keys
- 230VAC/ 24VDC Power Supply
- RS485 Based Communication with MODBUS RTU Protocol
- 1 channel 5KHz Fast Input

Product Code	Unit MRP	Description	HSN Code
COMPACT PLC - RAIL MOUNT			
DIGIX-1-230V	8424	PLC – 8DI, 5RO & 230VAC	85371000
DIGIX-1-0-0-24VDC	8924	PLC – 8DI, 5RO & 24VDC	
DIGIX-1-0-0-24VDC-B	7053	PLC – 8DI, 5RO & 24VDC – Without Display	
DIGIX-1-1-1-230V	10329	PLC – 8DI, 5RO & 230VAC – RTC and MODBUS Expansion	
DIGIX-2-1-0-24VDC	15095	PLC – 10DI, 8RO, 2AI-V/2DI & 24VDC – MODBUS Expansion	
DIGIX-4-1-1-24VDC	10555	PLC – 10DI, 6TO & 24VDC – RTC and MODBUS Expansion	



COMPACT PLC - PANEL MOUNT

- Configurable 7 Seg LED display
- Configurable Function Keys
- 230VAC / 24VDC Power Supply
- RS485 Based Communication with MODBUS RTU Protocol
- 1 channel 5KHz Fast Input

Product Code	Unit MRP	Description	HSN Code
COMPACT PLC - PANEL MOUNT			
UNIX-1-230V	6916	PLC – 3DI, 2RO, 2TO, 3AI (1TC/RTD, 1I, 1V/1DI) & 230VAC	85371000
TWIX-1-230V	7656	PLC – 6DI, 4RO, 1AI (TC/RTD) & 230VAC	
TWIX-1-24VDC	8989	PLC – 6DI, 4RO, 1AI (TC/RTD) & 24VDC	
TWIX-2-230V	12578	PLC – 6DI, 5RO, 6AI (2TC/RTD, 2I, 2V/2DI), 1AO(V/I) & 230VAC	
TWIX-2-24V	13260	PLC – 6DI, 5RO, 6AI (2TC/RTD, 2I, 2V/2DI), 1AO(V/I) & 24VDC	
TWIX-3-24VDC	9319	PLC – 8DI, 6DO, 1AI (TC/RTD) & 24VDC	



COMPACT PLC - PANEL & RAIL MOUNT

- Configurable LCD Display
- Configurable Function Keys
- 230VAC / 24VDC Power Supply
- RS485 Based Communication with MODBUS RTU Protocol
- Fast Inputs 5-12 KHz

Product Code	Unit MRP	Description	HSN Code
COMPACT PLC - PANEL & RAIL MOUNT			
MM3032-2-0-0-230V V2	13842	PLC – 8DI, 6RO, 2AI (V/I), 1AO (0-10V DC) & 230VAC	85371000
MM3032-2-0-0-24V V2	15191	PLC – 8DI, 6RO, 1AI (V/I), 1AI-NTC & 24VDC	

HMI (Colour Graphics Touch Panels)



HMI - 4.3", 7" & 10"

- TFT Resistive Touch Screen
- Data logging
- User management
- Recipe management
- Alarm management
- Inbuilt RTC, Ladder & Macro Functions
- Inbuilt Buzzer for Alarm conditions
- Inbuilt Third Party PLC protocols
- MODBUS RS485, RS422, RS232, Ethernet & USB2.0 port.
- 24VDC Power Supply

Product Code	Unit MRP	Description	HSN Code
HMI - 4.3 Inch			
SP113-GT43-S-CE	15233	4.3"HMI without Ethernet, 1.2 GHz, 64MB RAM, 128MB Flash, TFT, Terminal COM, Single RS485/422/232	85371090
SP112-GT40-S-CE	16809	4.3" Touch screen HMI with serial ports (1xRS485 & 1xRS232) including USB downloading cable in the package	
SP112-GT40-ET-CE	20311	4.3" Touch screen HMI with serial ports (1xRS485, 1xRS232)	
HMI - 7 Inch			
SP113-GT70-S-CE	18035	7" HMI without Ethernet, 1.2 GHz, 64MB RAM, 128MB Flash, TFT, DB9 COM 1- RS485/422/232	85371090
SP112-GT70-S1-CE	18560	7"HMI without Ethernet, 1 GHz Quad core, 256MB RAM, 256MB Flash, TFT, DB9 COM 1/2 - RS485/422/232, Terminal COM 3 - RS485	
SP113-GT70-ET-CE	25584	7" HMI with Ethernet, 1.2 GHz, 128MB RAM, 128MB Flash, TFT, DB9 COM 1- RS485/422/232	
SP112-GT70-ET1-CE	24998	7"HMI with Ethernet, 1 GHz Quad core, 256MB RAM, 256MB Flash, TFT, DB9 COM 1/2 - RS485/422/232, Terminal COM 3 - RS485	
HMI - 10 Inch			
SP112-GT100-ET-CE	40232	10" Touch screen HMI with Serial ports(1xRS485, 1xRS232) & Ethernet	85371090



HMI - 3.5"

- 3.5" Resistive Touch Screen LCD Display
- Password Management
- Serial Printing
- Data Logging (SD card upto 2GB)
- Recipe Management
- Inbuilt RTC Function
- 18-30VDC Power Supply
- MODBUS RTU Protocol

Price list 2023 (w.e.f. January 24th, 2023)

PLC ACCESSORIES



RELAY MODULES - RS485 OPERATED

- 18-30VDC Power Supply

Product Code	Unit MRP	Description	HSN Code
RS485 OPERATED			
ERLYMD-2-1-S8-1CO-24V-CE-RoHS	5398	Relay Modules – 8 Channel 1 Change Over, Communication based	85364900



RELAY MODULES - SINGLE CHANGE OVER / DOUBLE CHANGE OVER

- 4/8 Channel
- 10A @ 230VAC Contact Rating

Product Code	Unit MRP	Description	HSN Code
SINGLE CHANGE OVER			
RLYMD-1-S4-1CO-24VDC-CE-RoHS	1411	Relay Modules – 4 Channel 1 Change Over	85364900
RLYMD-2-S8-1CO-24VDC-CE-RoHS	2544	Relay Modules – 8 Channel 1 Change Over	
DOUBLE CHANGE OVER			
RLYMD-1-S4-2CO-24VDC-CE-RoHS	1743	Relay Modules – 4 Channel 2 Change Over	85364900
RLYMD-2-S8-2CO-24VDC-CE-RoHS	3279	Relay Modules – 8 Channel 2 Change Over	



USB TO SERIAL CONVERTER

- USB to Serial (RS232, RS485)
- 1 Meter Length
- Self Powered

Product Code	Unit MRP	Description	HSN Code
USB TO SERIAL			
AC-USB-RS232-01	5434	Converter Cable – USB to RS232	84715000
AC-USB-RS485-02	5699	Converter Cable – USB to RS485 (2 wire)	
AC-USB-RS485-03	5695	Converter Cable – USB to RS485 (RJ25)	



SERIAL TO SERIAL CONVERTER

- Serial RS485 to serial RS232 converter
- Rail Mount
- 90-270VAC Power Supply
- Isolation Between MODBUS RS485 & MODBUS RS232

Product Code	Unit MRP	Description	HSN Code
SERIAL TO SERIAL			
AC-RS485-RS232-ISO	2904	Converter - RS485 to RS232, Isolation	84715000



SERIAL TO ETHERNET CONVERTER

- TCP (server, client), MODBUS TCP
- Din Rail mount

Product Code	Unit MRP	Description	HSN Code
SERIAL TO ETHERNET			
AC-S2E-02	5913	Converter – RS485 to Ethernet	84715000



CABLES & ADAPTER

- Standard cable for communication
- Expansion & Networking

Product Code	Unit MRP	Description	HSN Code
AC-IOEXP-01	570	Communication Adapter	85444299
AC-IOEXP-03	622	Communication Adapter	
ACH-001	783	Communication Cable – 9 Pin D-Type to 9 Pin D-Type	
ACH-002	713	Download / Communication Cable – 9 Pin D-Type to RJ25(6Pin)	
ACH-003	583	Standard Cable – RJ45 to RJ45 (8Pin)	
ACH-004	526	Expansion Cable – RJ25 to RJ25 (6Pin)	



POWER SUPPLIES & BATTERY CHARGER



DIN RAIL POWER SUPPLIES

- Supports 90 - 264 VAC / 127 - 370 VDC
- Active PFC for 240W & 480W models
- Short circuit, Overload & Over Voltage Protection
- Efficiencies up to 93 %
- Inbuilt temperature protection for 60W, 120W, 240W & 480W
- DC Ok Relay contact for 240W & 480W
- Cooling by air convection

Product Code	Unit MRP	Description	HSN Code
DIN RAIL POWER SUPPLIES			
RP-2M-1.1A-24VDC-CE-RoHS	1739	26.4W, 24V/1.1A DIN rail mounted Power Supply in Plastic Housing - CE Certified	85044090
RPS15-05-CE	1486	12W, 5V/2.4A DIN rail mounted Power Supply in Plastic Housing - CE In Process	
RPS15-12-CE	1487	15W, 12V/1.25A DIN rail mounted Power Supply in Plastic Housing - CE In Process	
RPS15-24-CE	1486	15W, 24V/0.625A DIN rail mounted Power Supply in Plastic Housing - CE In Process	
RPS40-12-CE	2060	30W, 12V/2.5A DIN rail mounted Power Supply in Plastic Housing - CE In Process	
RPS40-15-CE		30W, 15V/2A DIN rail mounted Power Supply in Plastic Housing - CE In Process	
RPS40-24-CE		40W, 24V/1.6A DIN rail mounted Power Supply in Plastic Housing - CE In Process	
RPS40-48-CE	1991	40W, 48V/0.8A DIN rail mounted Power Supply in Plastic Housing - CE In Process	
RPS60-05	2703	50W, 05V/10A DIN rail mounted Power Supply in Plastic Housing	
RPS60-12	2500	60W, 12V/5A DIN rail mounted Power Supply in Plastic Housing	
RPS60-15	2703	60W, 15V/4A DIN rail mounted Power Supply in Plastic Housing	
RPS60-24	2297	60W, 24V/2.5A DIN rail mounted Power Supply in Plastic Housing	
RPS60-48	2703	60W, 48V/1.25A DIN rail mounted Power Supply in Plastic Housing	
RPS120-12	3243	96W, 12V/8A DIN rail mounted Power Supply in Plastic Housing	
RPS120-15		120W, 15V/8A DIN rail mounted Power Supply in Plastic Housing	
RPS120-24	2568	120W, 24V/5A DIN rail mounted Power Supply in Plastic Housing	
RPS120-48	2973	120W, 48V/2.5A DIN rail mounted Power Supply in Plastic Housing	
RPS60-05-CE	2973	50W, 05V/10A DIN rail mounted Power Supply in Plastic Housing - CE Certified	
RPS60-12-CU	2703	60W, 12V/5A DIN rail mounted Power Supply in Plastic Housing - CE & UL Certified	
RPS60-15-CU	2973	60W, 15V/4A DIN rail mounted Power Supply in Plastic Housing - CE & UL Certified	
RPS60-24-CE	2703	60W, 24V/2.5A DIN rail mounted Power Supply in Plastic Housing - CE Certified	

Product Code	Unit MRP	Description	HSN Code
RPS60-48-CU	2973	60W, 48V/1.25A DIN rail mounted Power Supply in Plastic Housing - CE & UL Certified	85044090
RPS120-12-CU	3514	96W, 12V/8A DIN rail mounted Power Supply in Plastic Housing - CE & UL Certified	
RPS120-15-CU	3514	120W, 15V/8A DIN rail mounted Power Supply in Plastic Housing - CE & UL Certified	
RPS120-24-CE	3046	120W, 24V/5A DIN rail mounted Power Supply in Plastic Housing - CE Certified	
RPS120-48-CU	3514	120W, 48V/2.5A DIN rail mounted Power Supply in Plastic Housing - CE & UL Certified	
RPS240-12-CU	7906	216W, 12V/18A DIN rail mounted Power Supply in Plastic Housing - CE & UL Certified	
RPS240-24-CE	7904	240W, 24V/10A DIN rail mounted Power Supply in Plastic Housing - CE Certified	
RPS240-48-CE	7529	240W, 48V/5A DIN rail mounted Power Supply in Plastic Housing - CE Certified	
RPS480-24-CE	12319	480W, 24V/20A DIN rail mounted Power Supply in Plastic Housing - CE Certified	
RPS480-48-CE	12322	480W, 48V/10A DIN rail mounted Power Supply in Plastic Housing - CE Certified	
LRPS240-24 <i>New</i>	4865	240W, 24V/10A DIN rail mounted Power Supply in Plastic Housing	
LRPS240-48 <i>New</i>	5676	240W, 48V/5A DIN rail mounted Power Supply in Plastic Housing	
PPS240-24	4865	240W, 24V/10A DIN rail mounted Power Supply in Metal Housing	



PANEL / SURFACE MOUNT POWER SUPPLIES

- Compact size and 1U profile
- Universal Input Range
- -40°C to +70°C Operating Temperature
- Protects against Short Circuit, Overload, Over Voltage
- Efficiencies up to 89 %

Product Code	Unit MRP	Description	HSN Code
OPEN FRAME POWER SUPPLIES			85044090
TPS50-24 <i>New</i>	1527	50W, 24V/2.2A Surface/Panel mount Power Supply In Metal Casing	
TPS120-24 <i>New</i>	1797	120W, 24V/5A Surface/Panel mount Power Supply In Metal Casing	



BATTERY CHARGERS

- CVCC Charging Profile
- Charging indication with LED
- Prevents over charging of battery
- Full power between -0°C & +50°C
- Wide range input 150-270 VAC

Product Code	Unit MRP	Description	HSN Code
BATTERY CHARGERS			85044090
BC1-1210	5959	12V/10A Wall mounted Battery charger in Metal Housing	
BC2-2410	6837	24V/10A Wall mounted Battery charger in Metal Housing	

New

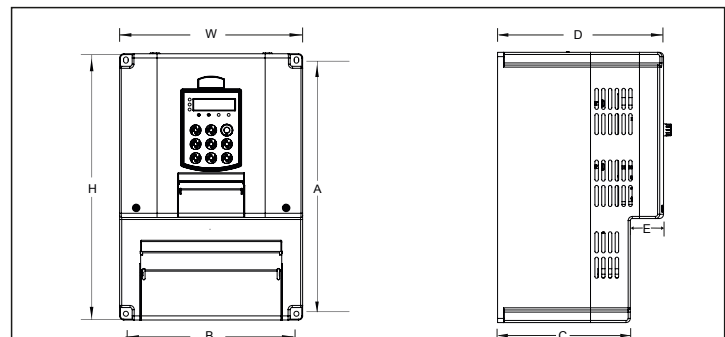
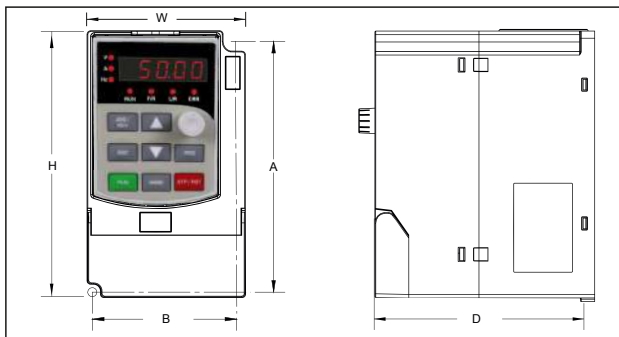


VFD-L & VFD-S SERIES

- V/F Control
- Automatic Voltage Regulation
- 150% Rated Current
- Detachable user interface (Display+Keypad)
- PI Control
- Provides protection against Over Current, Over Voltage, Under Voltage, Overheat, Overload, Under Current
- RS485 Modbus communication

Product Code	Unit MRP	Description	HSN Code
VFD-L & VFD-S SERIES			
VFD-L-1-005-230V	12551	1 PH 230VAC IN, 3 PH 0-230VAC OUT 0.5HP/0.4kW, Compact series (4 DIs, 2AIs, RS485, 1RO, Built In Display)	85044090
VFD-L-1-010-230V	13447	1 PH 230VAC IN, 3 PH 0-230VAC OUT 1HP/0.75kW, Compact series (4 DIs, 2AIs, RS485, 1RO, Built In Display)	
VFD-S-1-005-230V	14228	1 PH 230VAC IN, 3 PH 0-230VAC OUT 0.5HP/0.4kW, General Purpose series (5 DIs, 1AI, POT input, RS485, 1RO, 1 TO, 1AO, Detachable Display)	
VFD-S-1-010-230V	14575	1 PH 230VAC IN, 3 PH 0-230VAC OUT 1HP/0.75kW, General Purpose series (5 DIs, 1AI, POT input, RS485, 1RO, 1 TO, 1AO, Detachable Display)	
VFD-S-1-020-230V	15979	1 PH 230VAC IN, 3 PH 0-230VAC OUT 2HP/1.5kW, General Purpose series (5 DIs, 1AI, POT input, RS485, 1RO, 1 TO, 1AO, Detachable Display)	
VFD-S-3-010-415V	18653	3 PH 415VAC IN, 3 PH 0-415VAC OUT 1HP/0.75kW, General Purpose series (5 DIs, 1AI, POT input, RS485, 1RO, 1 TO, 1AO, Detachable Display)	
VFD-S-3-020-415V	20041	3 PH 415VAC IN, 3 PH 0-415VAC OUT 2HP/1.5kW, General Purpose series (5 DIs, 1AI, POT input, RS485, 1RO, 1 TO, 1AO, Detachable Display)	
VFD-S-3-030-415V	20995	3 PH 415VAC IN, 3 PH 0-415VAC OUT 3HP/2.2kW, General Purpose series (5 DIs, 1AI, POT input, RS485, 1RO, 1 TO, 1AO, Detachable Display)	
VFD-SH-3-050-B-415V <i>New</i>	30018	3 PH 415VAC IN, 3 PH 0-415VAC OUT 5HP/3.7KW. Heavy Duty, (8DI PNP/NPN, 2AI, 2TO, 2RO, 1AO), RS485	
VFD-SN-3-075-B-415V <i>New</i>	30538	3 PH 415VAC IN, 3 PH 0-415VAC OUT 7.5HP/5.5KW. Normal duty, (8DI PNP/NPN, 2AI, 2TO, 2RO, 1AO), RS485	
VFD-SH-3-075-B-415V <i>New</i>	37349	3 PH 415VAC IN, 3 PH 0-415VAC OUT 7.5HP/5.5KW. Heavy duty, (8DI PNP/NPN, 2AI, 2TO, 2RO, 1AO), RS485	
VFD-SN-3-100-B-415V <i>New</i>	37349	3 PH 415VAC IN, 3 PH 0-415VAC OUT 10HP/7.5KW. Normal Duty, (8DI PNP/NPN, 2AI, 2TO, 2RO, 1AO), RS485	
VFD-SH-3-100-B-415V <i>New</i>	41499	3 PH 415VAC IN, 3 PH 0-415VAC OUT 10HP/7.5KW. Heavy Duty, (8DI PNP/NPN, 2AI, 2TO, 2RO, 1AO), RS485	
VFD-SH-3-150-B-415V <i>New</i>	52228	3 PH 415VAC IN, 3 PH 0-415VAC OUT 15HP/11KW. Heavy Duty, (8DI PNP/NPN, 2AI, 2TO, 2RO, 1AO), RS485	
VFD-SN-3-200-B-415V <i>New</i>	54969	3 PH 415VAC IN, 3 PH 0-415VAC OUT 20HP/15KW. Normal duty, (8DI PNP/NPN, 2AI, 2TO, 2RO, 1AO), RS485	
VFD-SH-3-200-B-415V <i>New</i>	64547	3 PH 415VAC IN, 3 PH 0-415VAC OUT 20HP/15KW. Heavy duty, (8DI PNP/NPN, 2AI, 2TO, 2RO, 1AO), RS485	

Dimensions



Product Code	Mounting Dimension		Dimension		
	A (mm)	B (mm)	H (mm)	W (mm)	D (mm)
VFD-S-1-005-230V	141	80.5	150	89	123
VFD-S-1-010-230V					
VFD-S-1-020-230V					
VFD-S-3-010-415V					
VFD-S-3-020-415V					
VFD-S-3-030-415V					

Product Code	Mounting Dimension			Dimension			
	A (mm)	B (mm)	C (mm)	H (mm)	W (mm)	D (mm)	E (mm)
VFD-S-3-050-415V	305	205	133.5	247	160	173	39.5
VFD-S-3-075-415V							
VFD-S-3-100-415V							
VFD-S-3-150-415V			157				
VFD-S-3-200-415V							
VFD-S-3-200-415V							

Price list 2023 (w.e.f. January 24th, 2023)

PID & TEMPERATURE CONTROLLER SERIES



UNIVERSAL PID CONTROLLER

- Adaptive tune, Short Depth
- Universal Input
- Universal Output
- RS485 Communication
- Up to 128 steps Profile Control
- IDM

Product Code	Unit MRP	Description	HSN Code
UNIVERSAL PID CONTROLLERS			
PID500-U-0-1 <i>New</i>	5080	4-Digit (White+Green) Dual display, Capacitive touch keypad with Universal input, Universal output, 90 to 270V AC/DC supply voltage, 48 x 48mm size, Ramp-soak Function, IDM	90328990
PID500-U-C-1 <i>New</i>	5738	4-Digit (White+Green) Dual display, Capacitive touch keypad with Universal input, Universal output, RS485 MODBUS communication, 90 to 270V AC/DC supply voltage, 48 x 48mm size, Ramp-soak Function, IDM	



PID CONTROLLER

- 4-Digit dual LED display
- Universal input
- Max. 3 setpoints
- Retransmission output
- Relay / SSR / Analog output
- RS485 MODBUS RTU communication protocol
- One step Ramp-Soak function
- Different Standard sizes

Product Code	Unit MRP	Description	HSN Code
PID CONTROLLERS			
PID500-T-2-0-00	3712	4-Digit dual (Red+Green) display PID controller with TC / RTD input and 4-20mA analog output + 1 relay output, 48 x 48mm size, 90 to 270V AC / DC	90328990
PID500-T-0-0-01	3243	4-Digit dual (Red+Green) display PID controller with TC / RTD input and 3 relay outputs, 48 x 48mm size, 90 to 270V AC / DC	
PID500-T-1-0-01		4-Digit dual (Red+Green) display PID controller with TC / RTD Input and SSR output + 2 relay outputs, 48 x 48mm size, 90 to 270V AC / DC	
PID500-0-0-01	4183	4-Digit dual (Red+Green) display PID controller with Universal Input and 3 relay outputs, 48 x 48mm size, 90 to 270V AC / DC	
PID500-0-0-04	5128	4-Digit dual (Red+Green) display PID controller with Universal Input and 3 relay outputs + RS485 communication, 48 x 48mm size, 90 to 270V AC / DC	
PID500-1-0-01	5020	4-Digit dual (Red+Green) display PID controller with Universal Input and SSR output + 2 relay outputs, 48 x 48mm size, 90 to 270V AC / DC	

Product Code	Unit MRP	Description	HSN Code
PID500-2-0-01	4588	4-Digit dual (Red+Green) display PID controller with Universal Input and 4-20mA analog output + 2 relay outputs, 48 x 48mm size, 90 to 270V AC / DC	90328990
PID500-2-0-04	6638	4-Digit dual (Red+Green) display PID controller with Universal Input and 4-20mA analog output + 2 relay outputs + RS485 communication, 48 x 48mm size, 90 to 270V AC / DC	
PID500-3-0-00	4588	4-Digit dual (Red+Green) display PID controller with Universal Input and 0-10VDC analog output + 1 relay output, 48 x 48mm size, 90 to 270V AC / DC	
PID110-0-0-01	4601	4-Digit dual (Red+Green) display PID controller with Universal Input and 3 relay outputs, 96 x 48mm size, 90 to 270V AC / DC	
PID110-2-0-04	6414	4-Digit dual (Red+Green) display PID controller with Universal Input and 4-20mA analog output + 2 relay outputs + RS485 communication, 96 x 48mm size, 90 to 270V AC / DC	
PID330-0-0-01	4453	4-Digit dual (Red+Green) display PID controller with Universal Input and 3 relay outputs, 96 x 96mm size, 90 to 270V AC / DC	
PID330-0-0-04	6486	4-Digit dual (Red+Green) display PID controller with Universal Input and 3 relay outputs + RS485 communication, 96 x 96mm size, 90 to 270V AC / DC	
PID330-2-0-01	5185	4-Digit (Red+Green) dual display PID controller with Universal Input and 4-20mA analog output + 2 relay outputs, 96 x 96mm size, 90 to 270V AC / DC	
PID330-2-0-04	5532	4-Digit dual (Red+Green) display PID controller with Universal Input and 4-20mA analog output + 2 relay outputs + RS485 communication, 96 x 96mm size, 90 to 270V AC / DC	
PID528-1	5065	4-Digit dual (Red+Green) display PID controller with 2 relay outputs, 48 x 48mm size, 90 to 270V AC / DC	



PROFILE CONTROLLER

- Universal input
- 4-Digit dual display
- 10 programs, 16 steps for each program
- Retransmission output
- Relay / Analog output
- RS485 MODBUS RTU communication protocol

Product Code	Unit MRP	Description	HSN Code
PROFILE CONTROLLER			
PR502-2-0-0	10736	4-Digit dual (Red+Green) display Profile controller with 160 ramp soak steps, 4-20mA analog output, 48 x 48mm size, 90 to 270V AC / DC	90328990
PR502-0-0-1	8873	4-Digit dual (Red+Green) display Profile controller with 160 ramp soak steps, 2 relay output + RS485 communication, 48 x 48mm size, 90 to 270V AC / DC	



TEMPERATURE CONTROLLER - CX SERIES

- TC/RTD inputs
- Relay/SSR outputs
- Optional alarm output
- Universal Supply voltage
- Bright Single/ Dual display
- Different standard sizes

Product Code	Unit MRP	Description	HSN Code
TEMPERATURE CONTROLLER - CX SERIES			
TC513CX	2035	3-Digit single White display, Single set point, Temperature controller with Relay / SSR output, 48 x 48mm size, 90 to 270V AC / DC	90328990
TC538CX	2805	4-Digit dual (White+Green) display, Single set point, Short depth temperature-controller with Relay/ SSR, 48 x 48mm size, 90 to 270V AC / DC	
TC244CX <i>New</i>	3368	4-Digit dual (White+Green) display, Dual set point, Temperature controller with Relay / SSR & Relay output, IDM applicable, 72 x 72mm size, 90 to 270V AC / DC	
TC344CX <i>New</i>	3538	4-Digit dual (White+Green) display, Dual set point, Temperature controller with Relay / SSR & Relay output, IDM applicable, 96 x 96mm size, 90 to 270V AC / DC	
TC203CX <i>New</i>	2550	3-Digit single White display, Single set point, Temperature controller with Relay / SSR output, IDM applicable, 72 x 72mm size, 90 to 270V AC / DC	
TC303CX <i>New</i>		3-Digit single White display, Single set point, Temperature controller with Relay / SSR output, IDM applicable, 96 x 96mm size, 90 to 270V AC / DC	



TEMPERATURE CONTROLLER

- TC/RTD inputs
- Relay/SSR outputs
- Optional alarm output
- Universal Supply voltage
- Bright Single/ Dual display
- Different standard sizes

Product Code	Unit MRP	Description	HSN Code
TEMPERATURE CONTROLLER			
TC544C	2805	4-Digit dual bright (White+Green) display, Dual set point, Short depth temperature-controller with Relay / SSR & Relay output, 48 x 48mm size, 90 to 270V AC / DC	90328990
TC544-CT	3191	4-Digit dual (Red+Green) display, Dual set point, Temperature controller with 2 Relay output and CT input, 48 x 48mm size, 90 to 270V AC / DC	
TC544B	2752	4-Digit dual (Red+Green) display, Dual set point, Short depth temperature controller with Relay / SSR & Relay output, 48 x 48mm size, 90 to 270V AC / DC	
TC533BX	2405	3-digit dual (Red+Green) display, Single set point, Short depth temperature-controller with Relay / SSR output, 48 x 48mm size, 90 to 270V AC / DC	
TC513BX	2036	3-Digit single Red display, Single set point, Short depth temperature controller with Relay / SSR output, 48 x 48mm size, 90 to 270V AC / DC	
TC513BX-CE	2464	3-Digit single Red display, Single set point, Short depth temperature controller with Relay / SSR output, 48 x 48mm size, 90 to 270V AC / DC, CE Certified	
TC544A *	3277	4-Digit dual (Red+Green) display, Dual set point, Temperature controller with Relay / SSR & Relay output, 48 x 48mm size, 90 to 270V AC / DC	
TC544A-24V	4340	4-Digit dual (Red+Green) display, Dual set point, Temperature controller with Relay / SSR & Relay output, 48 x 48mm size, 24V DC	
TC244AX	3368	4-Digit dual (Red+Green) display, Dual set point, Temperature controller with Relay / SSR & Relay output, 72 x 72mm size, 90 to 270V AC / DC	
TC344AX	3538	4-Digit dual (Red+Green) display, Dual set point, Temperature controller with Relay / SSR & Relay output, 96 x 96mm size, 90 to 270V AC / DC	

Note: * UL variant available

Price list 2023 (w.e.f. January 24th, 2023)

Product Code	Unit MRP	Description	HSN Code
TC513AX *	2369	3-Digit single Red display, Single set point, Temperature controller with Relay / SSR output, 48 x 48mm size, 90 to 270V AC / DC	90328990
TC203AX	2550	3-Digit single Red display, Single set point, Temperature controller with Relay / SSR output, 72 x 72mm size, 90 to 270V AC / DC	
TC303A	2210	3-Digit single Red display, Single set point, Temperature controller with Relay output, 96 x 96mm size, 90 to 270V AC / DC	
TC303AX	2550	3-Digit single Red display, Single set point, Temperature controller with Relay with NC contact / SSR output, 96 x 96mm size, 90 to 270V AC / DC	
TC533AX	2740	3-Digit dual (Red+Green) display, Single set point, Temperature controller with Relay / SSR output, 48 x 48mm size, 90 to 270V AC / DC	
DTC503	1843	3-Digit single Red display, Low cost temperature controller with J, K input, Relay output, 48 x 48mm size, 90 to 270V AC / DC	
DTC231	2036	3-Digit single Red display, Low cost temperature controller with J, K input, Relay output, 72 x 72 mm size, 90 to 270V AC / DC	
DTC331	1843	3-Digit single Red display, Low cost temperature controller with J, K input, Relay output, 96 x 96 mm size, 90 to 270V AC / DC	
DTC204A-2	3037	3-Digit single Red display, Dual set point, TC / RTD input, Temperature controller with Relay / SSR & Relay output, 72 x 72mm size, 90 to 270V AC / DC	
DTC324A-2		3-Digit single Red display, Dual set point, TC / RTD input, Temperature controller with Relay / SSR & Relay output, 96 x 96mm size, 90 to 270V AC / DC	
TC52-400-J-230	1765	Analog temperature controller, J type input, Relay output, 48 x 48mm size, 90 to 270V AC / DC	
IDM	1536	Independent Downloader Module	



HUMIDITY & TEMPERATURE CONTROLLER

- Rh sensor input (Humidity)
- PT100 sensor (Temperature)
- ON-OFF control (Humidity)
- ON-OFF/ PID control (Temperature)
- 90 to 270 V AC / DC supply
- Rh sensor enclosed with the unit

Product Code	Unit MRP	Description	HSN Code
HUMIDITY CONTROLLER			
HC404 <i>New</i>	4178	3 digit white LED white display Humidity controller with Rh sensor input and Relay control output, Alarm relay output, 36 x 72mm size, 90 to 270V AC / DC, CE Certified	90328910
HC205 <i>New</i>	4637	4 digit white LED white dual display Humidity controller with Rh sensor input and Relay control output, Alarm relay output, 72 x 72mm size, 90 to 270V AC / DC, CE Certified	
HUMIDITY+TEMPERATURE CONTROLLER			
HTC405 <i>New</i>	4324	3 digit white LED display Humidity+Temperature controller with Rh sensor and PT100 input and 2 X Relay control output, 36 x 72mm size, 90 to 270V AC / DC, CE Certified	90328910
HTC206 <i>New</i>	4815	4 digit (White+Green) LED display Humidity+Temperature controller with Rh sensor & PT100 input and 2 X Relay control output, 72 x 72mm size, 90 to 270V AC / DC, CE Certified	



PRECISION PROCESS INDICATOR

- 24 bit low drift ADC universal input
- Universal input , 2 x Alarm relay output
- Retransmission analog output
- 24V inbuilt sensor supply
- 4 Digital inputs, IDM applicable

Product Code	Unit MRP	Description	HSN Code
PRECISION PROCESS INDICATOR			
PIC352-11-U-0-1	10000	4 Digit dual alphanumeric display process indicator, with bar graph representation LCD display, Precise 24Bit low drift input, Retransmission output, 96 x 96mm size, 90 to 270V AC / DC	90328990

Note: * UL variant available

Price list 2023 (w.e.f. January 24th, 2023)



PROCESS INDICATOR

- 4-Digit LED single display
- Universal / Voltage-Current / TC-RTD input
- Optional Retransmission analog Output
- Inbuilt 24V DC Sensor supply
- Alarm output (Optional)
- RS485 MODBUS RTU communication protocol (Optional)

Product Code	Unit MRP	Description	HSN Code
PROCESS INDICATOR			
PIC152A-VI	5263	4 Digit LED display Process indicator with universal input & retransmission output, 2x5A alarm relay output, 48 x 96mm, 90 to 270V AC / DC Supply	90303390
PIC152A-VI-CE	6101	4 Digit LED display Process indicator with universal input & retransmission output, 2x5A alarm relay output, 48 x 96mm, 90 to 270V AC / DC Supply, CE Certified	
PIC152A-VI-24V	6655	4 Digit LED display Process indicator with universal input & retransmission output, 2x5A alarm relay output, 48 x 96mm, 24V DC Supply	
PIC101-N *	2828	4 Digit LED display Process indicator with universal input & inbuilt 24V DC sensor supply, 48 x 96mm, 90 to 270V AC / DC Supply	
PIC101-N-24	3955	4 Digit LED display Process indicator with universal input & inbuilt 24V DC sensor supply, 48 x 96mm, 24V DC Supply	
PIC101A-T-230	1987	4 Digit LED display Process indicator with TC & RTD input, 48 x 96mm, 230V AC Supply	
PIC101A-VI-230	1741	4 Digit LED display Process indicator with Voltage & Current input, 48 x 96mm, 230V AC Supply	
PIC501A-VI-230	1853	4 Digit LED display Process indicator with Voltage & Current input, 48 x 48mm, 230V AC Supply	

New



SOLID STATE RELAY

- Control input voltage: 4 to 32V DC
- Load output voltage: 24 to 330V AC / 48 to 480V AC
- Max. load current: 25/ 40A variants
- Output device: TRIAC , SCR's

Product Code	Unit MRP	Description	HSN Code
SOLID STATE RELAY			
RSS-TD1A125ZP <i>New</i>	550	DC to AC solid state relay, 4-32V DC input voltage, TRIAC Switching 24-330V AC load output voltage, 25A load output current, Resistive load	89364900
RSS-TD1A140ZP <i>New</i>	715	DC to AC solid state relay, 4-32V DC input voltage, TRIAC Switching 24-330V AC load output voltage, 40A load output current, Resistive load	
RSS-TD1A225ZP <i>New</i>	601	DC to AC solid state relay, 4-32V DC input voltage, TRIAC Switching 48-480V AC load output voltage, 25A load output current, Resistive load	
RSS-TD1A240ZP <i>New</i>	760	DC to AC solid state relay, 4-32V DC input voltage, TRIAC Switching 48-480V AC load output voltage, 40A load output current, Resistive load	
RSS-TA1A125ZP <i>New</i>	601	AC to AC solid state relay, 90-280V AC input voltage, TRIAC Switching 24-330V AC load output voltage, 25A load output current, Resistive load	
RSS-TA1A140ZP <i>New</i>	756	AC to AC solid state relay, 90-280V AC input voltage, TRIAC Switching 24-330V AC load output voltage, 40A load output current, Resistive load	
RSS-TA1A225ZP <i>New</i>	605	AC to AC solid state relay, 90-280V AC input voltage, TRIAC Switching 48-480V AC load output voltage, 25A load output current, Resistive load	
RSS-TA1A240ZP <i>New</i>	764	AC to AC solid state relay, 90-280V AC input voltage, TRIAC Switching 48-480V AC load output voltage, 40A load output current, Resistive load	
RSS-TD1A225ZPL <i>New</i>	724	DC to AC solid state relay, 4-32V DC input voltage, TRIAC Switching 48-480V AC load output voltage, 25A load output current, Resistive + Capacitive load	
RSS-TD1A240ZPL <i>New</i>	833	DC to AC solid state relay, 4-32V DC input voltage, TRIAC Switching 48-480V AC load output voltage, 40A load output current, Resistive + Capacitive load	
RSS-SD1A290ZPL <i>New</i>	3378	DC to AC solid state relay, 4-32V DC input voltage, SCR's Switching 48-480V AC load output voltage, 90A load output current, Resistive + Capacitive load	
RSS-SD1A2125ZPL <i>New</i>	4458	DC to AC solid state relay, 4-32V DC input voltage, SCR's Switching 48-480V AC load output voltage, 125A load output current, Resistive + Capacitive load	

Price list 2023 (w.e.f. January 24th, 2023)

COOLING CONTROLLER



COOLING CONTROLLER

- Single LED Display
- Relay control output
- NTC input
- ON-OFF control
- compact size
- Auxiliary Relay/SSR output
- IDM, DI, Defrost management available

Product Code	Unit MRP	Description	HSN Code
COOLING CONTROLLER			
CH403-1-NTC *	1590	3 Digits Red display cooling controller with NTC input and Relay & SSR output, 36 x 72mm size, 90 to 270V AC/DC	90328990
CH403-2-NTC	1676	3 Digits Red display cooling controller with NTC input and 20A Relay output, 36 x 72mm size, 90 to 270V AC/DC	
CH403-3-NTC	2378	3 Digits Red display cooling controller with NTC input and Relay + Relay output, 36 x 72mm size, 90 to 270V AC/DC	
CH403B-1-NTC	1311	2 ½ Digits White display cooling controller with NTC input and 10A Relay output, 36 x 72mm size, 230V AC supply voltage	
CH403B-2-NTC	1481	2 ½ Digits white display cooling controller with NTC input and 20A (LUG type) Relay output, 36 x 72mm size, 230V AC supply voltage	
CH403B-3-NTC	1937	2 ½ Digits white display cooling controller with NTC input and 20A SPST Relay output + 5A auxiliary relay output, 36 x 72mm size, 230V AC supply voltage	
CH403C-1-NTC V2 <i>New</i>	1766	3-Digits White display cooling controller with NTC input and 10A Relay output, 12V SSR auxiliary Output, DI, 36 x 72mm size, 230V AC supply voltage, CE Certified	
CH403C-2-NTC <i>New</i>	1994	3-Digits White display cooling controller with NTC input and 20A (LUG type) Relay output, DI, 36 x 72mm size, 230V AC supply voltage, CE Certified	
CH403C-3-NTC <i>New</i>		3-Digits White display cooling controller with NTC input, 10A SPDT Relay output, 5A SPST auxiliary Output with cyclic timer, DI, 36 x 72mm size, 230V AC supply voltage, CE Certified	



Note: * UL variant available

Price list 2023 (w.e.f. January 24th, 2023)

DIGITAL TIMERS & COUNTERS



MULTIFUNCTION TIMER

- Thumbwheel setting
- Single & Dual set points
- Multi-range
- Universal power supply
- Gate/ Pulse start selectable

Product Code	Unit MRP	Description	HSN Code
MULTIFUNCTION			
XT5042 *	5122	4 Digit dual LED display Multi function multi range timer, 2 C/O SPST relay output, 48 x 48mm, 90 to 270V AC/DC Supply	85364900
XT5042-24	5970	4 Digit dual LED display Multi function multi range timer, 2 C/O SPST relay output, 48 x 48mm, 24V DC Supply	
XT56-N V2	2842	3 Digit Single LED display Thumb-wheel timer, On delay/ Interval mode, Multiple time range, 2 C/O SPDT relay output, 48 x 48mm, 90 to 270V AC/DC supply	
XT56N-24	4190	3 Digit single display Thumb-wheel timer with On delay / Interval modes, Multiple time ranges, 2 C/O SPDT relay output, 48 x 48mm, 24V DC Supply	
XT264-3	2688	3 Digit Single LED display Thumb-wheel timer, On delay/ Interval mode, Multiple time range, 2 C/O SPDT relay output, 72 x 72mm, 90 to 270V AC/DC supply	
XT364-3	3028	3 Digit Single LED display Thumb-wheel timer, On delay/ Interval mode, Multiple time range, 2 C/O SPDT relay output, 96 x 96mm, 90 to 270V AC/DC supply	
XT546	2764	3 Digit dual LED display Multi function timer, Multiple time range, 2 C/O SPDT relay output, Down counting, 48 x 48mm, 85 to 270V AC/DC supply	
XT546-CE	3205	3 Digit dual LED display Multi function timer, Multiple time range, 2 C/O SPDT relay output, Down counting, 48 x 48mm, 85 to 270V AC/DC supply, CE Certified	
XT546-24V	4147	3 Digit dual LED display Multi function timer, Multiple time range, 2 C/O SPDT relay output, 48 x 48mm, 24V DC supply	
XT246	2649	3 Digit dual LED display Multi function timer, Multiple time range, 2 C/O SPDT relay output, Down counting, 72 x 72mm, 85 to 270V AC/DC supply	
XT246-24V	3802	3 Digit dual LED display Multi function timer, Multiple time range, 2 C/O SPDT relay output, 72 x 72mm, 24V DC supply	
XT346	2792	3 Digit dual LED display Multi function timer, Multiple time range, 2 C/O SPDT relay output, Down counting, 96 x 96mm, 85 to 270V AC/DC supply	
XT546BX	2649	3 Digit dual LED display Multi function timer, Multiple time range, 2 C/O SPDT relay output, Up-Down counting, 48 x 48mm, Short depth, 85 to 270V AC/DC supply	
XT543-N	2378	3 Digit Single LED display Thumb-wheel timer, Multiple function and time ranges, 2 C/O SPDT relay output, 48 x 48mm, 90 to 270V AC/DC supply	



SEQUENTIAL TIMER

- Series / Parallel timer
- 8 outputs with 4 functions available
- Cascade output for expansion
- Universal power supply

Product Code	Unit MRP	Description	HSN Code
SEQUENTIAL			
PT380	9073	2 + 4 Digit LED display multi functional sequential timer with 8 Channel output, multiple time ranges, 96 x 96mm, 85 to 270V AC/DC supply	85364900



TIME INTERVAL METERS

- Hour meters
- Auto ranging
- Selectable least count
- Universal power supply / Battery powered

Product Code	Unit MRP	Description	HSN Code
TIME INTERVAL METERS			
TT103C	8155	4 Digit LED Time interval meter with auto/fixed time ranges, 48 x 96mm, 90 to 270V AC/DC supply	91069000
TT412B	2902	6 Digit LED Time interval with multiple time ranges, 36 x 72mm, 90 to 270V AC/DC	
LT945A-V	1236	7+1/2 Digit LCD display Hour meter, battery powered, Voltage input, remote reset, 48 x 48mm	
LT945A-V-CE	1360	7+1/2 Digit LCD display Hour meter, battery powered, Voltage input, remote reset, 48 x 48mm, CE Certified	
LTC9A	1173	7+1/2 Digit LCD display Time/ Count totalizer, battery powered, Voltage/Contact input, front/remote reset, 24 x 48mm	



SPEED MONITORING RELAY

- Dual set point
- Programmable input scaling
- Auto ranging
- High, Low, Dual speed

Product Code	Unit MRP	Description	HSN Code
SPEED MONITORING RELAY			
SMRD4M1-2-U-CE	4032	4 Digit Speed monitoring relay, 2 C/O SPDT relay output, Scalable input, Auto ranging, 12VDC sensor supply, 90 x 70mm 90 to 270V AC/DC supply	90314900



TOTALISERS

- Count totaliser
- Selectable voltage/ contact input
- Battery powered/ Universal power supply
- Inbuilt sensor supply

Product Code	Unit MRP	Description	HSN Code
TOTALISERS			
XC10D	2863	6 Digit LED Display Counter with 3 Hz/30Hz/1KHz input speed, 48 x 96mm, 90 to 270V AC/DC supply	90291090
XC410B	2150	6 Digit LED Display Counter with 20Hz/5 KHz input speed, 36 x 72mm, 90 to 270V AC/DC supply	
XC410-24V	3087	6 Digit LED Display Counter with 20Hz/2.5KHz input speed, 36 x 72mm, 24V DC supply	
LXC900A-C	1066	7+1/2 Digit LCD display Count totalizer, battery powered, Contact input, front/remote reset, 24 x 48mm	
LXC900A-V	1066	7+1/2 Digit LCD display Count totalizer, battery powered, Voltage input, front/remote reset, 24 x 48mm	

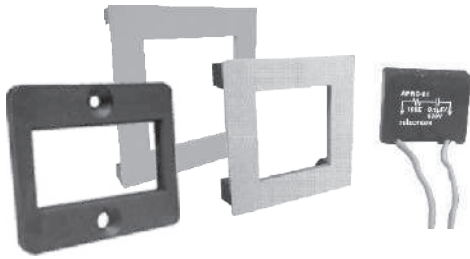


PROGRAMMABLE/ PRESET COUNTER

- Thumbwheel setting
- Auto reset & memory retention functions
- Dual setpoint, Batch counting
- Rate indicators
- Programmable input scaling

Product Code	Unit MRP	Description	HSN Code
PROGRAMMABLE/ PRESET COUNTER			
XC562 <i>New</i>	4090	6+6 Digit Digital programmable counter, with rate and Batch indication, 48 x 48mm size, capacitive touch keypad, 90 to 270V AC / DC supply voltage	90291090
XC262 <i>New</i>	4085	6+6 Digit Digital programmable counter, with rate and Batch indication, 72 x 72mm size, 90 to 270V AC / DC supply voltage	
XC1200 *	6800	6 Digit LED display programmable counter with rate indicator, multi directional counting, 2 C/O SPDT relay output, 48 x 96mm, 90 to 270V AC/DC supply	
XC22B V2	3459	4 Digit LED display Thumb-Wheel Counter with selectable auto reset and memory retention, 2 SPDT relay output, 72 x 72mm, 90 to 270V AC/DC supply	
XC2200	3562	6+4 Digit LED display programmable counter with rate indicator and batch counter, multi directional, 2 C/O SPDT relay output, 72 x 72mm, 90-270V AC/DC	
XTC5400 *	5122	4 Digit dual display Multifunctional and Multirange Timer+counter, 2 C/O SPDT relay output, memory retention, 48 x 48mm, 90 to 270V AC/DC	85364900
XTC4102-CE *	2896	6 Digit white LED display Time + Count Totalizer, 36 x 72mm, Contact/voltage input, 90 to 270V AC/DC supply	

OTHER ACCESSORIES



Product Code	Unit MRP	Description	HSN Code
TSP04	605	NTC Probe Sensor	90259000
ADAPTER PLATES 72 X 48 (FG)	243	Adapter plate 72 x 48mm	39269099
ADAPTER PLATES 96 X 48 (FG)		Adapter plate 96 x 48mm	
ADAPTER PLATES 96 X 72 (FG)		Adapter plate 96 x 72mm	
AP6050	108	Adapter plate 60 x 50mm for LCD series	
SNUBBER	149	Snubber Circuit	85363000

Price list 2023 (w.e.f. January 24th, 2023)



Selec Controls Pvt. Ltd.

Head Office : EL-27/1, Electronic Zone, TTC Industrial Area, MIDC, Mahape, Navi Mumbai 400710, INDIA.

Tel.: +91-22-41418468 / 452. Fax: +91-22-41418 408

Email: sales@selec.com, salestech@selec.com

For more information visit: www.selec.com

Terms & Conditions

- All Prices are in Indian Rupees.
- Maximum Retail Price (MRP) is inclusive of all taxes.
- Product evolution is a continuous process and Selec reserves the right to modify/withdraw any product at any time without prior notice.
- Prices are subject to change without notice.
- Prices charged will be as prevailing on the date of dispatch.
- Delivery: Ex-stock, otherwise 1~12 weeks.
- Govt. levies GST as is as per rule during the time of delivery.
- Freight, insurance, packing forwarding extra at actuals as applicable.
- Payment: In case of ex-stock, 100% against proforma invoice. In case of goods against order, 25% advance, balance against proforma invoice.
- Warranty: The equipment is limited warrantied, for one year from the date of invoice against manufacturing defects. The warranty is applicable only if the equipment is used within its electrical environment & other specification. No warranty for physical damaged / burnt out piece. We are not liable for consequential damage.

Bank Details