

HIGH RUPTURING CAPACITY FUSE (HRC FUSE)



4

DIN Type Fuses	Page
Technical Data and Ordering Information	4/2,4/3
Overall dimensions	4/8
I-t Curves	4/10,4/11

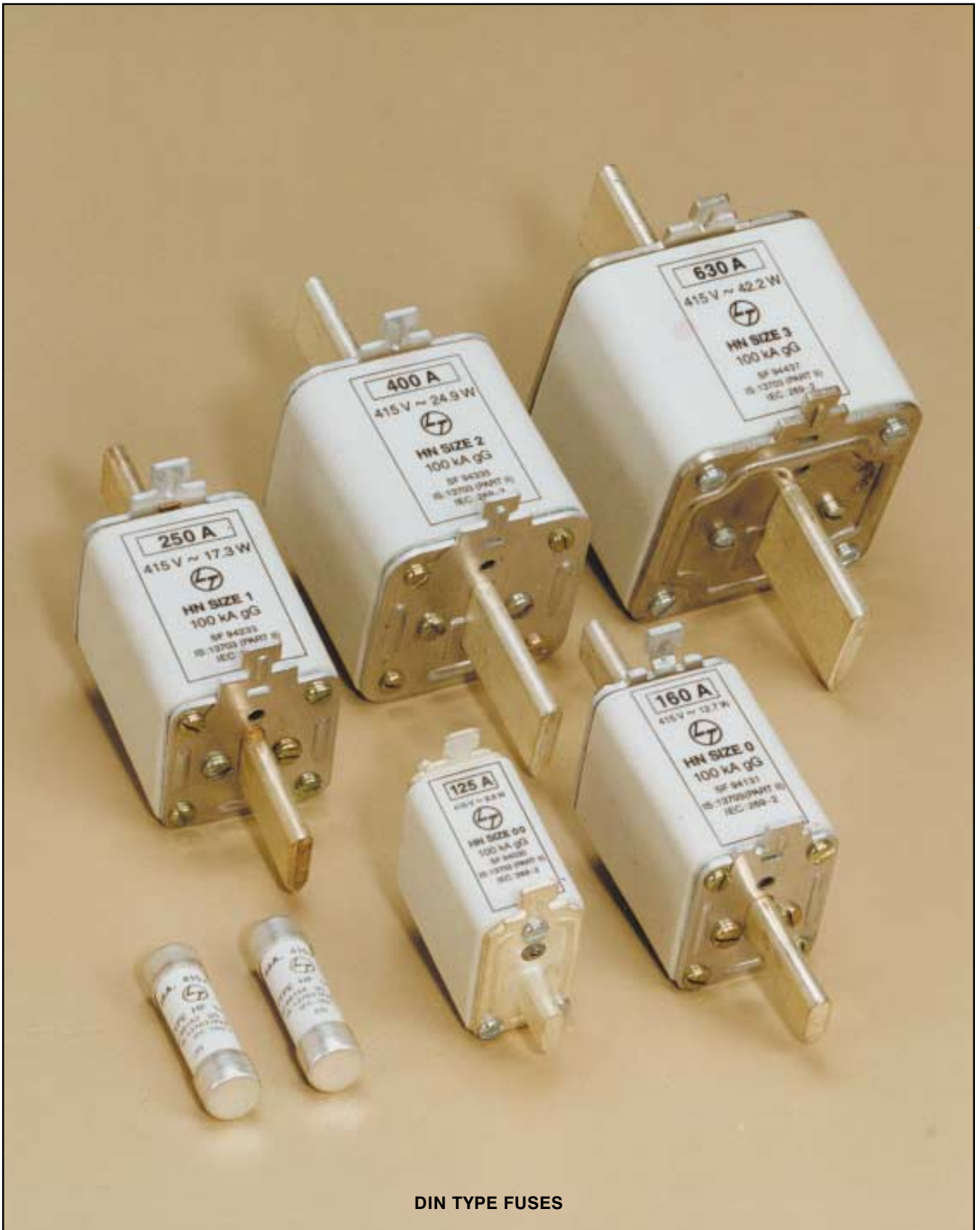
BS Type Fuses	Page
Technical Data and Ordering Information	4/5,4/6

SINGLE POLE FUSE BASE



Fuse Bases	Page
Technical Data and Ordering Information	4/7
Overall dimensions	4/9

WIDE RANGE OF DIN TYPE FUSES



DIN TYPE FUSES

TECHNICAL DATA & ORDERING INFORMATION

Conformance to IS 13703 (Part 2) and IEC:269-2

DIN TYPE FUSES - TYPE HN

- ◆ Conforms to IS 13703/IEC269
- ◆ Low watt loss- Saving in power
- ◆ Cooler running of associated products
- ◆ Low let through energy
- ◆ High breaking capacity 100kA.
- ◆ Immediate fault indication

Rated voltage- 415V

Rated Breaking capacity-100 kA at 415V

Ordering Suffix OOOO for all

Size of the the fuse link	Rating	Catalogue no.	Rated watt loss	Watt loss limits as per IS 13703	Suitable for SDF units type FN or equivalent
Size00	63A	SF94027	5.7	100 Amp. Fuse- 7.5W	FN100/125
	80A	SF94028	6.9		FN100/125
	100A	SF94029	7.5		FN100/125
	125A	SF94030	9.8		FN125
Size0	80A	SF94128	8.3	160 Amp. Fuse-16 W	FN200
	100A	SF94129	9.1		FN200
	125A	SF94130	11.3		FN200
	160A	SF94131	12.7		FN200
	200A	SF94132	14.5		FN200
Size1	125A	SF94230	10.3	250 Amp Fuse-23 W	FN250/315
	160A	SF94231	12.3		FN250/315
	200A	SF94232	14.3		FN250/315
	250A	SF94233	17.3		FN250/315
	315A	SF94234	25.5		FN250/315
Size2	200A	SF94332	14.1	400 Amp.Fuse-34W	FN400
	250A	SF94333	16.9		FN400
	315A	SF94334	20.2		FN400
	400A	SF94335	24.9		FN400
Size3	315A	SF94434	20.5	630 Amp Fuse-48W	FN630
	400A	SF94435	26.7		FN630
	500A	SF94436	36.1		FN630
	630A	SF94437	42.2		FN630
	800A	SF94938	48		FN800

Fusepulling handle should be used for safe & easy removal of fuse links(for HF : SK91185 & for HN :SF90126)

TECHNICAL DATA & ORDERING INFORMATION

Conformance to IS 13703 (Part 2) and IEC:269-2

FUSES - TYPE HF

- ◆ Conforms to IS 13703/IEC269
- ◆ Low watt loss- Saving in power
- ◆ Cooler running of associated products
- ◆ Low let through energy
- ◆ High breaking capacity 80kA.
- ◆ Immediate fault indication

Rated voltage- 415V

Rated Breaking capacity-80kA at 415V

Ordering Suffix OOOO for all

Rating(A)	Suitable for SDFunits type FN or equivalent	Catalogue No.
2	FN32/63	SF90144
4	FN32/63	SF90145
6	FN32/63	SF90146
8	FN32/63	SF90147
10	FN32/63	SF90148
16	FN32/63	SF90150
20	FN32/63	SF90151
25	FN32/63	SF90152
32	FN32/63	SF90142
40	FN63	SF90143
50	FN63	SF90158
63	FN63	SF90159

WIDE RANGE OF BS TYPE FUSES

4



BS TYPE FUSES

TECHNICAL DATA & ORDERING INFORMATION

Conformance to IS 13703 (Part 2) and IEC:269-2

BS TYPE FUSES - TYPE HQ

Rated voltage- 415V

Rated Breaking capacity-80kA at 415V

Ordering Suffix O000 for all

Size of the the fuse link	Rating	Cat no.	Suitable for SDF units type FN or equivalent
A1	2A	ST30736	FN32
	4A	ST30737	
	6A	ST30738	
	10A	ST30739	
	16A	ST30740	
	20A	ST30741	
	25A	ST30742	
	32A	ST30743	
A2	4A	ST30747	
	6A	ST30748	
	10A	ST30749	
	16A	ST30750	
	20A	ST30751	
	25A	ST30752	
	32A	ST30753	
A3	35A	ST30759	FN125
	50A	ST30760	
	63A	ST30761	
A4	80A	ST30767	FN125
	100A	ST30768	
	125A	ST30769	
B1	80A	ST30774	
	100A	ST30775	
	125A	ST30776	
B2	125A	ST30777	FN200
	160A	ST30778	FN200
	200A	ST30779	FN200
	250A	ST30780	FN250
B3	250A	ST30781	FN250
	315A	ST30782	FN400
B4	355A	ST30783	FN400
	400A	ST30784	FN400
C2	400A	ST30785	FN630
	500A	ST30786	FN630
	630A	ST30787	FN630
C3	630A	ST30788	

TECHNICAL DATA & ORDERING INFORMATION

Conformance to IS 13703 (Part 2) and IEC:269-2

BS TYPE FUSES - TYPE HG

Rated voltage- 415V

Rated Breaking capacity-80kA at 415V

Ordering Suffix OOOO for all

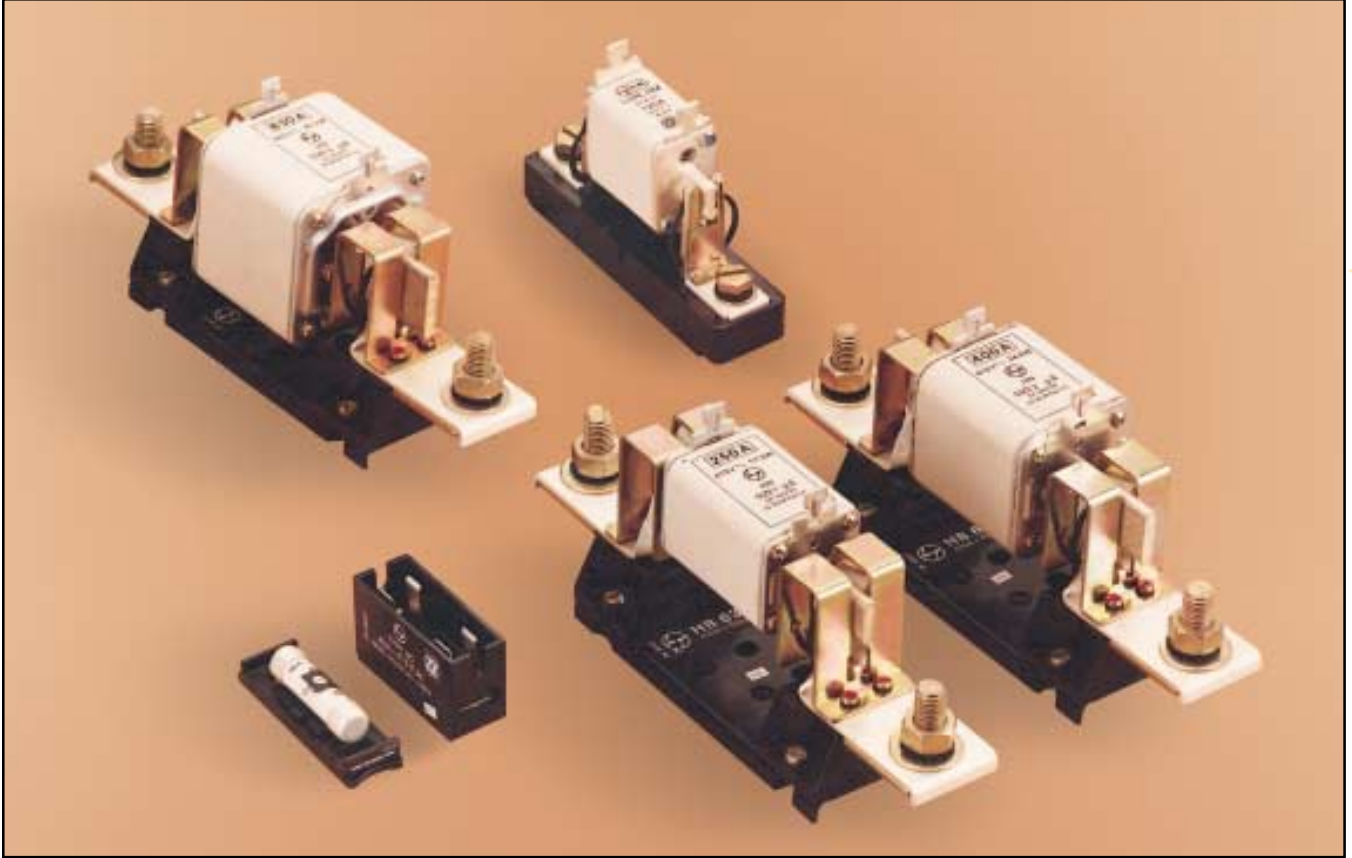
Size of the the fuse link	Rating	Cat no.	Suitable for SDF units type FN or equivalent
F1	2A	ST30725	
	4A	ST30726	
	6A	ST30727	
	10A	ST30728	
	16A	ST30729	
	20A	ST30730	
	25A	ST30731	
	32A	ST30732	

4

TECHNICAL DATA & ORDERING INFORMATION

Conformance to IS 13703 (Part 2) and IEC:269-2

WIDE RANGE OF FUSE BASES



4

FUSE BASE FOR DIN TYPE FUSES

Description	Suitable for	Catalogue No.
HB800 Single pole fuse base (400/630/800)	Suitable for HN size2 & size3 fuses	SK910510000
HB250 Single pole fuse base (125/200/250)	Suitable for HN size0 & size1 fuses	SK904060000
HB125 Single pole fuse base(63/125)	Suitable for HN size00 fuses	SK904050000
HRC fuse base 2A to 63A Type HC	Suitable for HF fuses	SK910430000
HRC fuse base 2A to32A Type HCO	Suitable for HF fuses	SK913140000

FUSE BASE FOR BS TYPE FUSES

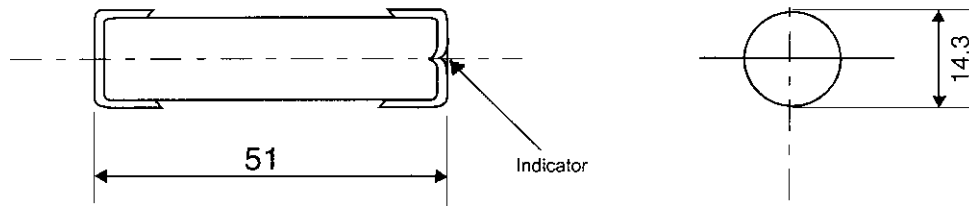
Type	Rating A	Version	Catalogue No.	Suitable for fuses
HD32H	32	Front	ST30733	F1
HD32P		Back	ST30734	
HD32B		Busbar	ST30735	
HK32H	32	Front	ST30754	A2
HK32B		Busbar	ST30755	
HK63H	63	Front	ST30762	A3
HK63B		Busbar	ST30763	
HK125H	125	Front	ST30770	A4
HK125B		Busbar	ST30771	

OVERALL DIMENSIONS

HRC FUSE LINK - TYPES HF & HN

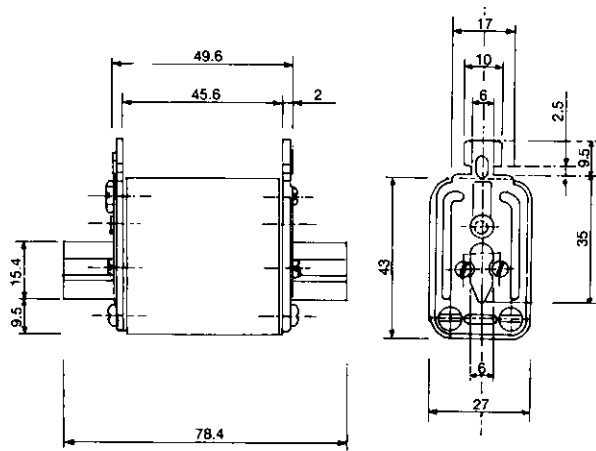
4

HF FUSE-LINK

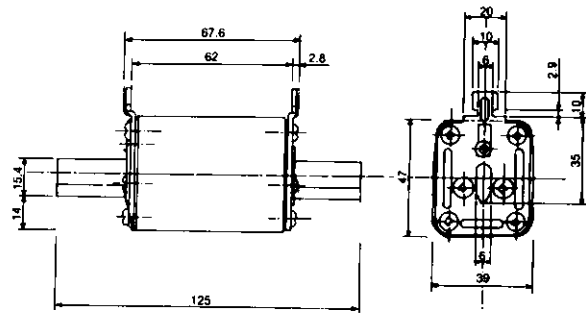


HN FUSE-LINK

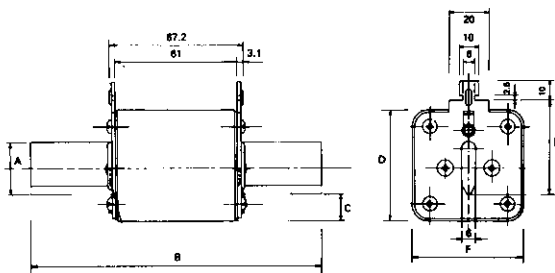
SIZE 00



SIZE 0



SIZE 1/2/3



TYPE	A	B	C	D	E	F
SIZE 1	20.4	135	11.0	46	40	46
SIZE 2	25.4	150	14.0	59	48	59
SIZE 3	32.4	150	17.5	73	60	73

Note: All dimensions are in mm.

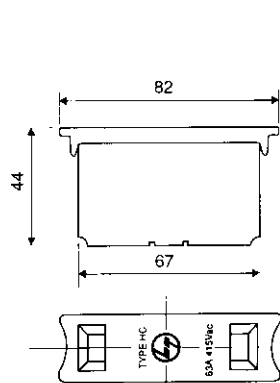
OVERALL DIMENSIONS

SINGLE POLE FUSE BASE - TYPE HCO, HC, HB 100, HB 250, HB 800

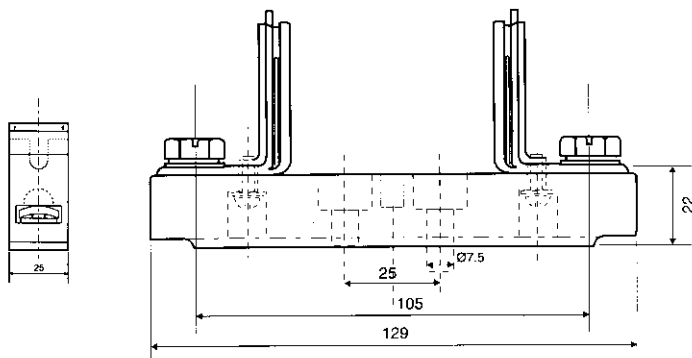
FUSE BASE :

Fuse base and holder are moulded from superior quality engineering plastic, designed for quick, simple and risk-free replacement of fuses.

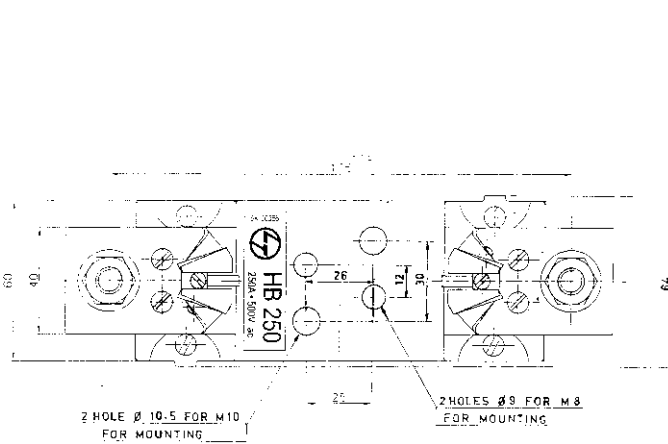
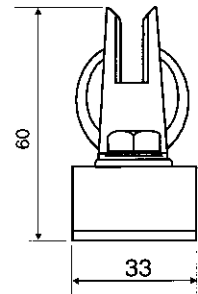
Fuse Links	Suitable fuse base
Type HF	
Ratings (2 - 32 A)	HCO
(2 - 63 A)	HC
Type HN	
Size 00	HB100
Size 0, 1	HB250
Size 2, 3	HB800



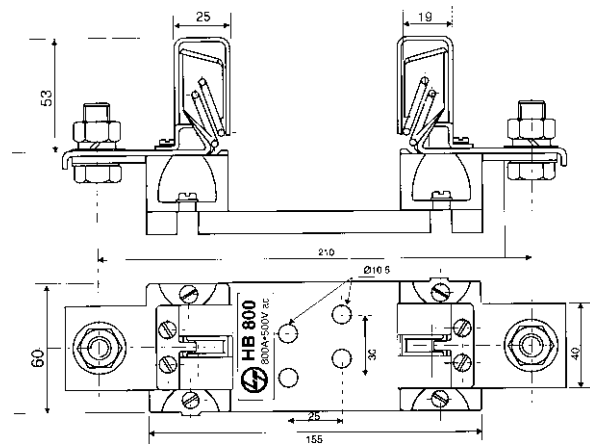
HCO / HC



HB 100



HB 250

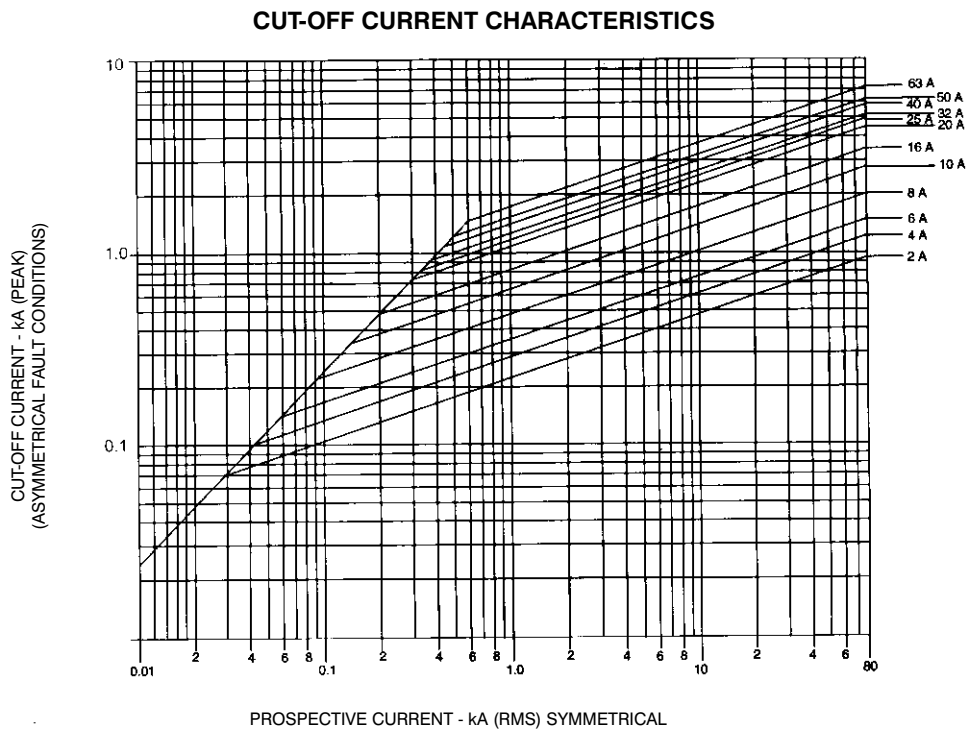
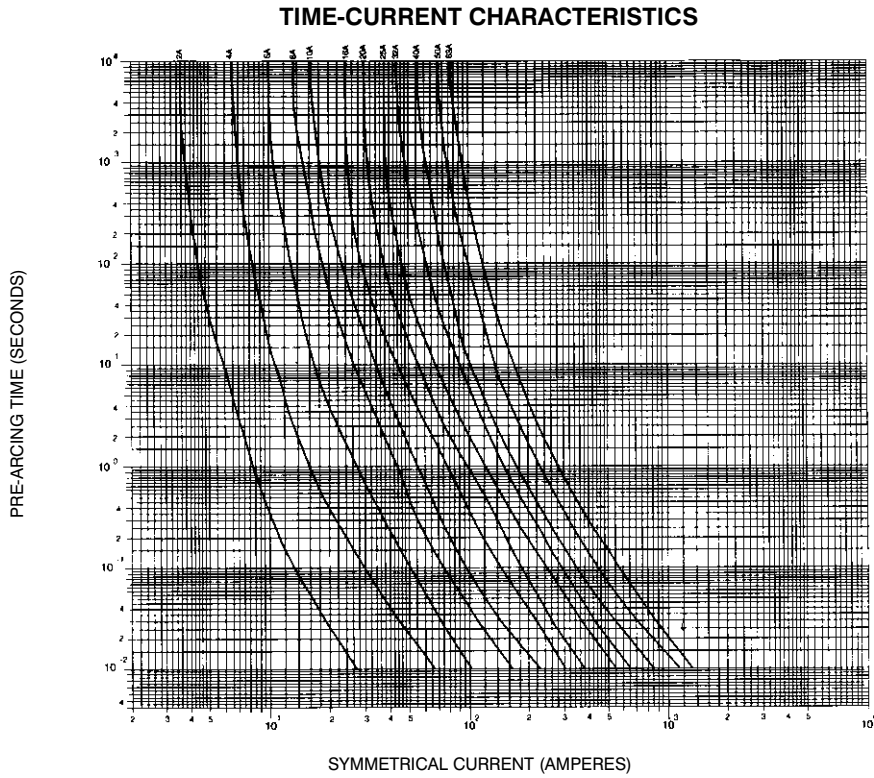


HB 800

Note: All dimensions are in mm.

I-t CURVES

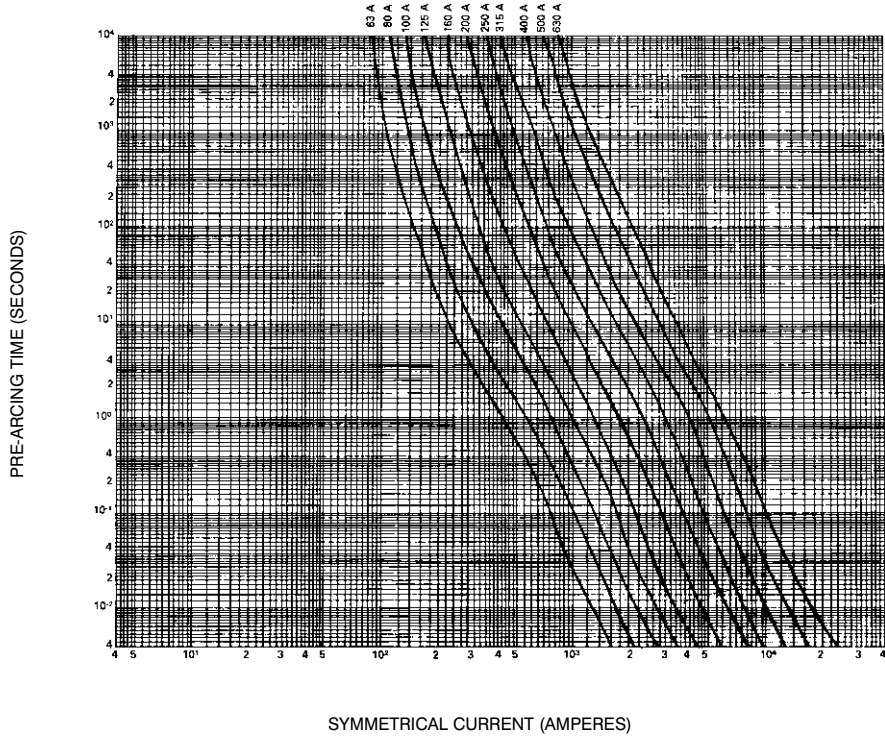
HRC FUSE LINKS - TYPE HF



I-t CURVES

HRC FUSE LINK - TYPE HN

TIME-CURRENT CHARACTERISTICS



CUT-OFF CURRENT CHARACTERISTICS

