

THREE-PHASE CAPACITORS

THREE-PHASE CAPACITORS



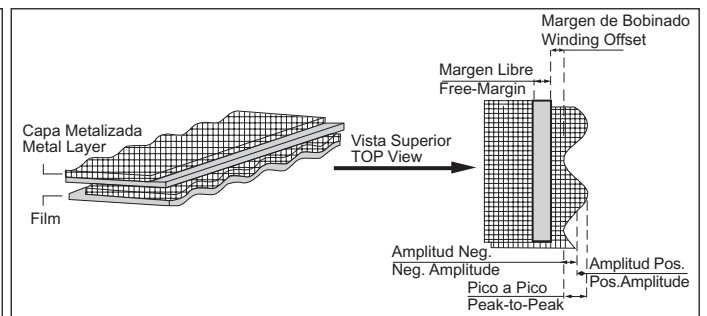
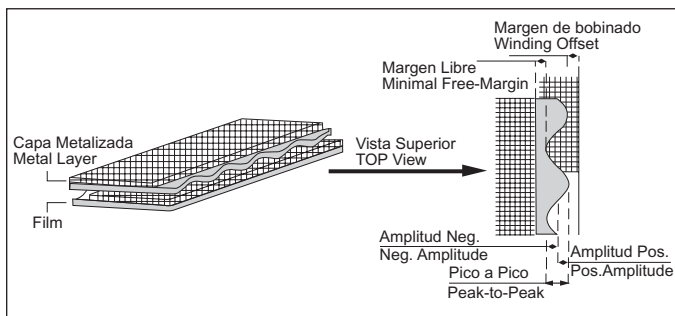
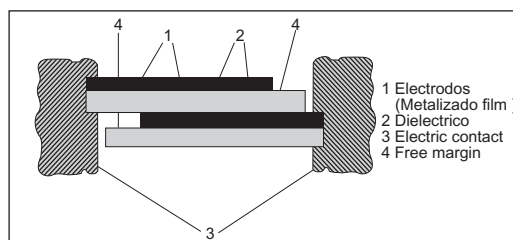
BHARTIA CUTLER-HAMMER

BHARTIA INDUSTRIES LIMITED
we care for you



BIL power capacitors are specially designed for reactive power factor correction using the highest quality raw materials, the most developed manufacturing process and according to international standards 60831-1-2.

BIL Capacitors are manufactured with low loss metalized self healing polypropylene film. The windings are placed in a cylindrical aluminum can and filled with an advanced polyurethane resin of great heat dissipation properties. An overpressure disconnection system is used to disconnect the capacitor in case of inadmissible working conditions caused by extreme electrical or thermal conditions.



Self-Healing Film

BIL Capacitors are manufactured with self-healing film. Due to extreme and inadmissible electrical working conditions a perforation breakdown may occur. The metalized area next to the feature is re-established, insulating the perforated area. After a self-healing the capacitor can still work in normal conditions.

Dry Type (Ecological Polyurethane Resin)

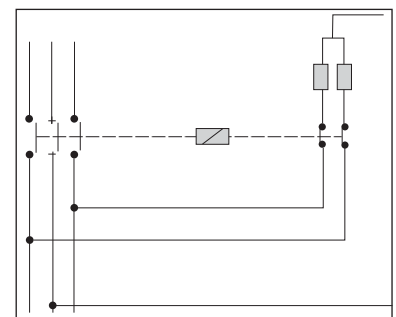
BIL dry type capacitors are filled with a non toxic and ecological polyurethane resin. BIL Capacitors resin provides an excellent heat dissipation properties, increasing the capacitor expected life.

Discharge Resistors

BIL Capacitors are delivered with discharge resistors able to discharge the capacitors to less than 75V within three minute.

Overpressure Disconnection System

BIL Capacitors have been designed to be interrupted by an overpressure disconnection system. When the terminal cover expands, the internal connections are interrupted, Thus disconnecting the capacitor.

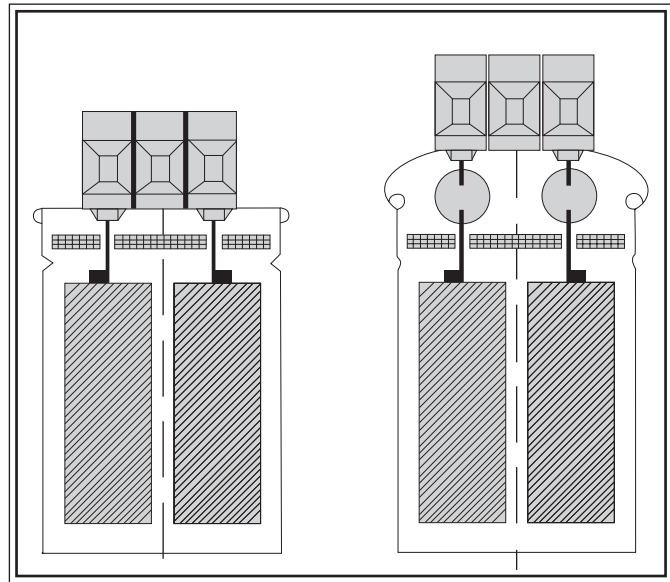




Three - Phase Capacitors

With Connector

Series MA/C/CE TER



Overpressure Disconnection System

TECHNICAL CHARACTERISTICS

Standard	EN 60831-1/2
Capacitance tolerance	-5% + 10%
Frequency	50Hz (60 Hz Upon request)
Temperature range	-25° C -55° C
Dielectric losses	≤ 0.5 W/KKV Ar
Maximum over voltage	1.1 x Un
Maximum over current	1.5 x In
Max. THD in voltage	2%
Max. THD in current	25%
Discharge resistance	Incorporated
Connection	Delta
Casing	Aluminium can
Disconnection system	Overpressure
Dielectric	Metallized polypropylene film
Voltage test between terminals	4.1 Un en DC
Voltage test terminals to case	3 KV for 1 minute AC
Terminal	Connector

Other voltage available on request: 230/400/415/480/525/690V

Industrial frequency "8 hours every 24 hours" of fluctuation and regulation of voltage, higher values may cause damages in capacitor

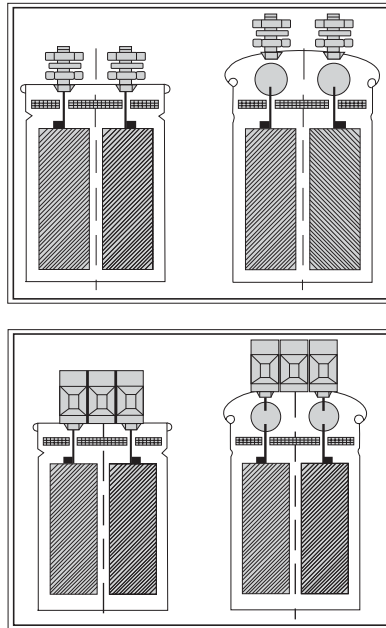


Reinforced Three - Phase Capacitors

Specially designed for harmonic filter applications
Series MA/C/CE RTF



MA/C/C/CE/RTF/TER



Overpressure Disconnection System



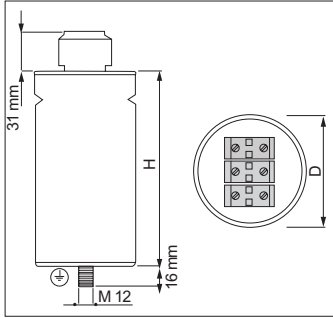
MA/C/C/CE/RTF

TECHNICAL CHARACTERISTICS

Standard	EN 60831-1/2
Capacitance tolerance	-5% + 10%
Frequency	50Hz (60 Hz Upon request)
Temperature range	-25° C -55° C
Dielectric losses	≤ 0.5 W/KKVA _r
Maximum over voltage	1.15 x Un
Maximum over current	1.5 x In
Max. THD in voltage	3%
Max. THD in current	30%
Discharge resistance	Incorporated
Connection	Delta
Terminals	2x6,3 Qc; Stud M-5; M-6; M-8; Connector
Casing	Aluminium can
Disconnection system	Overpressure
Dielectric	Metallized polypropylene film
Voltage test between terminals	4.1 x Un en DC
Voltage test terminals to case	3 KV for 1 minute AC
Terminal cover	Plastic cover



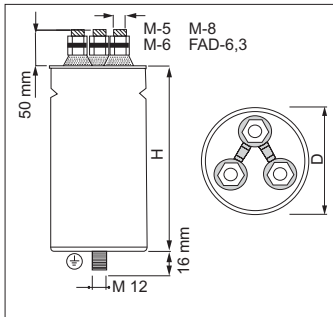
Dimensions (mm)



MA/C/CE TER

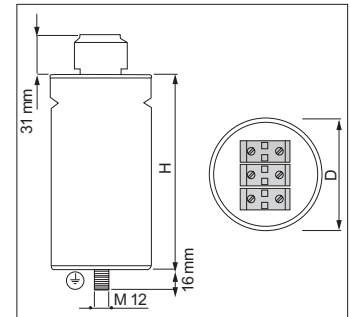
Power KVAR	Voltage V.c.a	Dimensions D X H (mm)
2.5	415 V	85 x 215
5	415 V	85 x 215
7.5	415 V	85 x 215
10	415 V	85 x 215
12.5	415 V	100 x 215
15	415 V	100 x 215
20	415 V	100 x 300
25	415 V	120 x 300
30	415 V	120 x 300

Other voltage available on request: 230/400/415/480/525/690V Industrial frequency "8 hours every 24 hours" of fluctuation and regulation of voltage, higher values may cause damages in capacitor



MA/C/CE RTF

Power KVAR	Voltage V.c.a	Dimensions D X H (mm)
2.5	440 V	70 x 215
5	440 V	70 x 215
7.5	440 V	85 x 215
10	440 V	100 x 215
12.5	440 V	100 x 215
15	440 V	100 x 300
20	440 V	120 x 300
25	440 V	120 x 300
30	440 V	136 x 300



MA/C/CE RTF

Ordering Codes

CAT. Reference	Details
MACCETER-2.5-440V	2.5 KVAR/440V/50 Hz
MACCETER-5-440V	5.0 KVAR/440V/50 Hz
MACCETER-7.5-440V	7.5 KVAR/440V/50 Hz
MACCETER-10.0-440V	10.0 KVAR/440V/50 Hz
MACCETER-12.5-440V	12.5 KVAR/440V/50 Hz
MACCETER-15-440V	15 KVAR/440V/50 Hz
MACCETER-20-440V	20 KVAR/440V/50 Hz
MACCETER-25-440V	25 KVAR/440V/50 Hz
MACCETER-30-440V	30 KVAR/440V/50 Hz

35/40/50 kvar available on request

Other voltage available on request: 230/400/415/480/525/690V

Industrial frequency "8 hours every 24 hours" of fluctuation and regulation of voltage, higher values may cause damages in capacitor

BHARTIA INDUSTRIES LIMITED

Visit us at : www.bchindia.com

Corporate Office : 1105, New Delhi House, 27, Barakhamba Road, New Delhi - 110 001 Tel. : 011-23316029/41511350 Fax : 011-23715249 E-Mail : marketing@bchindia.com
Registered Office : Block 1E, 216, Acharya Jagadish Chandra Bose Road, Kolkata - 700 017
Works : 20/4, Mathura Road, Faridabad - 121 006 (Haryana) Tel. : 0129-4063000/4061026 Fax : 0129-2304024

Sales Offices :

Ahmedabad 93, City Centre, Near Swastik Char Rasta, C.G.Road, Navrangpura, Ahmedabad - 380 009 Tel. : (079) 26565719, 26565728 Mobile : 98256-07601 Fax : (079) 26561210 E-mail : ahmedabad@bchindia.com	Bhubaneswar Plot No. 4708/1, Gajapati Nagar, Bhubaneswar - 750 005 Tel. : 0675-2301767 Mobile : 98610-81767 E-mail : bhubaneswar@bchindia.com	Bangalore B.M.H. Complex, IInd Floor, No. 22, Kengal Hanumanthiah Road, Bangalore - 560 027 Tel. : 080-22273478, 51144878, 51144879 Mobile : 98455-46105 Fax : 080-22236759 E-mail : bangalore@bchindia.com	Chandigarh SCO 121-22-23, I st Floor, Sector 34-A, Chandigarh - 160 022 Tel. : 0172-5078957 Mobile : 98554-87089 E-mail : chandigarh@bchindia.com	Chennai SKS Complex, No. 6 (Old No. 31), 9th Lane, Dr. Radhakrishnan Salai, Mylapore, Chennai - 600 004 Tel. : 044-28476924, 28476964, Mobile : 98402-85500 Fax : 044-28476983 E-mail : chennai@bchindia.com	Cochin 2 nd Floor, 32/1495 B 1, Chakos Chambers, By Pass Junction, Cochin - 682 025 Tel. : 0484-5593697 Mobile : 98477-43393 E-mail : cochin@bchindia.com	
Coimbatore 87, Dr. Nanjappa Road, Coimbatore - 641 018 Tel. : 0422-2305311 Mobile : 98430-53555 Fax : 0422-2302599 E-mail : coimbatore@bchindia.com	Guwahati G.N. Bordoloi Road, Silpukhuri, Guwahati - 781 003 Tel. : 0361-2664217 Mobile : 94350-48802 E-mail : guwahati@bchindia.com	Hyderabad 210, Prajaya Corporate House, 1-10-63&64, Chikoti Garden, Begumpet, Hyderabad - 500 016 Tel. : 040-55206263/27763325 Mobile : 98493-99240 Fax : 040-55207273 E-mail : hyderabad@bchindia.com	Indore 330-331, Indraprastha Tower, 6, MG Road, Indore - 452 001 Tel. : 0731-2510011 Mobile : 98266-66091 E-mail : indore@bchindia.com	Jaipur 25, Hathroi, Gopalbari, Jaipur - 302 001 Tel. : 0141-5104521 Mobile : 98290-10813 Fax : 0141-2363521 E-mail : jaipur@bchindia.com	Jamshedpur 3rd Floor, Aastha Trade Centre, 'Q' Road, Bistupur, Jamshedpur - 831001 Tel. : 0657-5573507 Mobile : 98351-82109 Fax : 0657-2420439 E-mail : jamshedpur@bchindia.com	
Kolkata East India House, 3 rd Floor, 20-B, Abdul Hamid Street, Kolkata - 700 069 Tel. : 033-22138508 / 12 Mobile : 98308-81533 Fax : Extn. No. 14 E-mail : kolkata@bchindia.com	Lucknow House No. 304, Uphar, Udyan - I, ELDECO, Jail Road, Lucknow - 226 005 Tel. : 0522-2446023 Mobile : 98399-12304 E-mail : lucknow@bchindia.com	Ludhiana S.C.O - 18, IInd Floor, Feroze Gandhi Market, Ludhiana - 140 001 Tel. : 0161-5021807 Mobile : 98146-87088 Fax : 0161-2771807 E-mail : ludhiana@bchindia.com	Mumbai A-151, Mittal Tower, Nariman Point, Mumbai - 400 021 Tel. : 022-22822947, 22826039 Mobile : 98923-00706 Fax : 022-22822858 E-mail : mumbai@bchindia.com	New Delhi 801, Akash Deep, 26A, Barakhamba Road, New Delhi - 110 001 Tel. : 011-23313878 Mobile : 98102-12502 Fax : 011-23739230 E-mail : delhi@bchindia.com	Pune 8, Sarosh Bhawan, 16-B/1, Dr. Ambedkar Road, Pune - 411 001 Tel. : 020-26052590 Mobile : 98220-11086 Fax : 020-26135224 E-mail : pune@bchindia.com	Raipur 2 nd Floor, Building No- B- 234, Indira Gandhi Vyavasayik Parisar, Pandri, Raipur - 492 004 Mobile : 98266-66092

Resident Engineers Locations (Tel.)

Bhopal	98266-66093	Dehradun	98976-55045	Durgapur	97320-03364	Faridabad	98180-10700	Hubli	98802-90471
Jalandhar	98552-99386	Jodhpur	98290-10816	Kolhapur	98906-26205	Madurai	98431-33990	Mangalore	98457-31944
Nagpur	98606-23000	Navi Mumbai	98923-00701	Rajkot	98256-09602	Udaipur	98292-44085	Gurgaon	98107-44924
Nashik	98900-12944	Warangal	98495-51691	Tirupathi	98661-30930	Kota	98290-14899	Vadodara	98256-07606
Salem	98430-23393	Surat	98256-07604	Srinagar	99065-05611	Siliguri	98320-11433	Ghaziabad	98107-44937
Renukoot	98399-55117	Durg	98266-12907	Pondicherry	98942 22033	Tinsukia	98642-79407	Trichy	98947-35185
Vijayawada	98662-20504	Vizag	98493-99238	Gwalior	98268-03658				

Since product improvement is a continuous process, the data furnished in this brochure may undergo revision without prior notice.